

Rear eye, Series MP6

- With ball joint and foot
- Cylinder mounting in accordance with ISO 21287
- Suitable piston Ø 25 mm



Standards
Weight

See table
See table

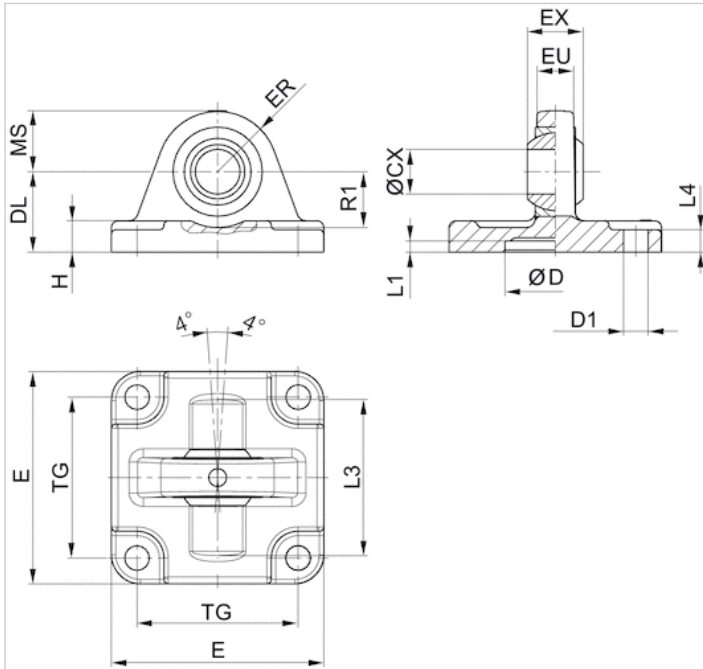
Technical data

Part No.	Piston Ø	Hole Ø	Standardization	Housing material	Screws material	Weight
3663602000	25 mm	10 mm	ISO 21287	Aluminum (anodized)	Stainless steel	0,1 kg
3663603000	32 mm	10 mm	ISO 6431	Aluminum	galvanized steel	0,1 kg
3663604000	40 mm	12 mm	ISO 6431	Aluminum	galvanized steel	0,1 kg
3663605000	50 mm	12 mm	ISO 6431	Aluminum	galvanized steel	0,2 kg
3663606000	63 mm	16 mm	ISO 6431	Aluminum	galvanized steel	0,3 kg
3663608000	80 mm	16 mm	ISO 6431	Aluminum	galvanized steel	0,5 kg
3663610000	100 mm	20 mm	ISO 6431	Aluminum	galvanized steel	0,8 kg

Technical information

Material	
Material	Aluminum (anodized) Aluminum
Screws	Stainless steel galvanized steel
Bearing	Stainless steel

Dimensions



Dimensions

Part No.	Piston Ø	ØCX H7	ØD H11	ØD1 H13	DL ±0,2	E	EX -0,1	ER	EU	H	L1 1)	L3	L4
3663602000	25 mm	10	18	5,5	20	40	9	14	8	6	3	-	3

MS -0,5	R1 1)	TG
14	-	26

1) Min.