

# End plates for adapter plate

- standard ISO 5599-1
- Frame size ISO 1, ISO 3 ISO 2, ISO 3
- type F
- Can be assembled into blocks
- Reversed pressure supply permissible



|                                   |                                |
|-----------------------------------|--------------------------------|
| Standards                         | ISO 5599-1                     |
| Working pressure min./max.        | -0,95 ... 16 bar               |
| Ambient temperature min./max.     | -15 ... 70 °C                  |
| Medium temperature min./max.      | -15 ... 80 °C                  |
| Medium                            | Compressed air                 |
| Direction of pneumatic port (1)   | On the side                    |
| Direction of pneumatic port (3,5) | On the side                    |
| Exhaust (3,5)                     | With directional exhaust (3/5) |
| Exhaust type                      | Ports separated                |
| Mounting screw                    | hexagon head                   |
| Weight                            | See table below                |

## Technical data

| Part No.   | Frame size   | Weight   |
|------------|--------------|----------|
| 1825503243 | ISO 1, ISO 3 | 0,395 kg |
| 1825503245 | ISO 2, ISO 3 | 0,45 kg  |

Scope of delivery: 2 end plates of different sizes including seal and mounting screws

## Technical information

The min. control pressure must be adhered to, since otherwise faulty switching and valve failure may result!

The pressure dew point must be at least 15 °C under ambient and medium temperature and may not exceed 3 °C .

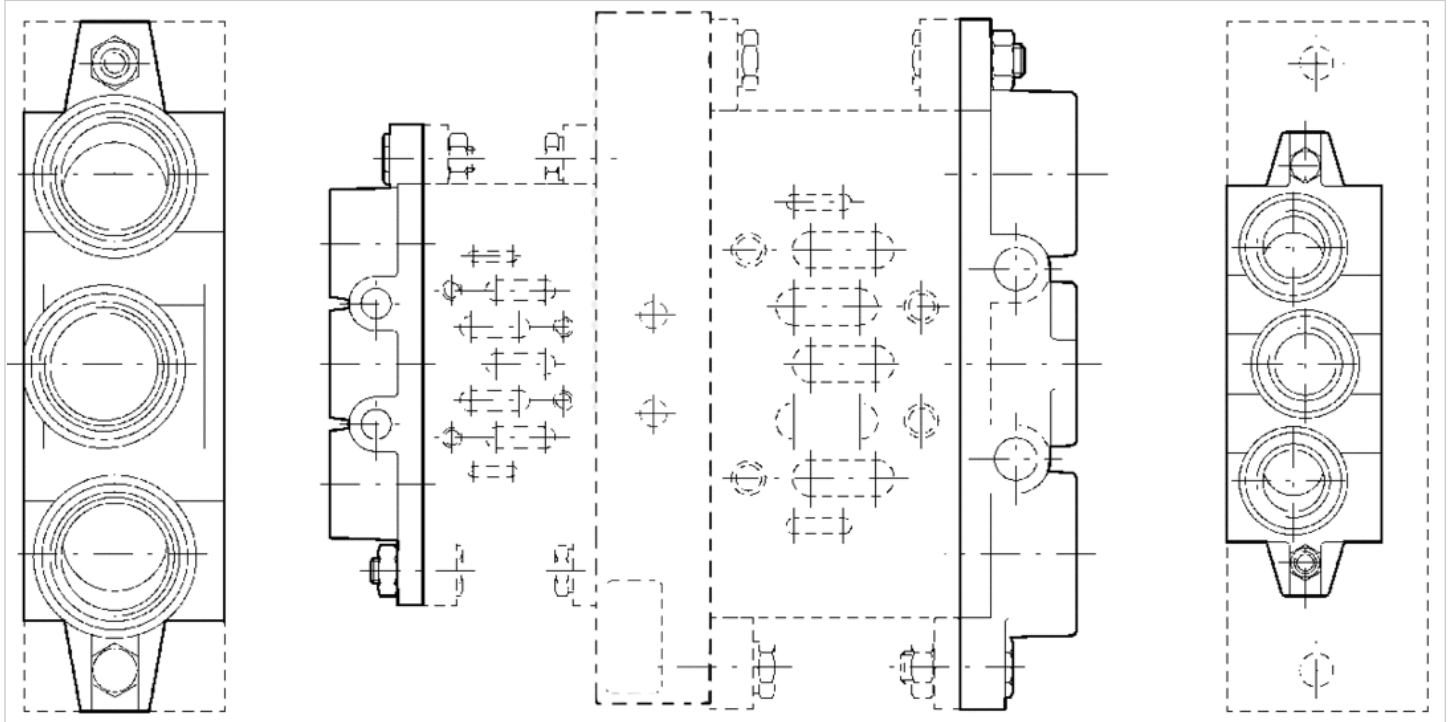
The oil content of compressed air must remain constant during the life cycle.

Use only the approved oils from AVENTICS. Further information can be found in the "Technical information" document (available in the MediaCentre).

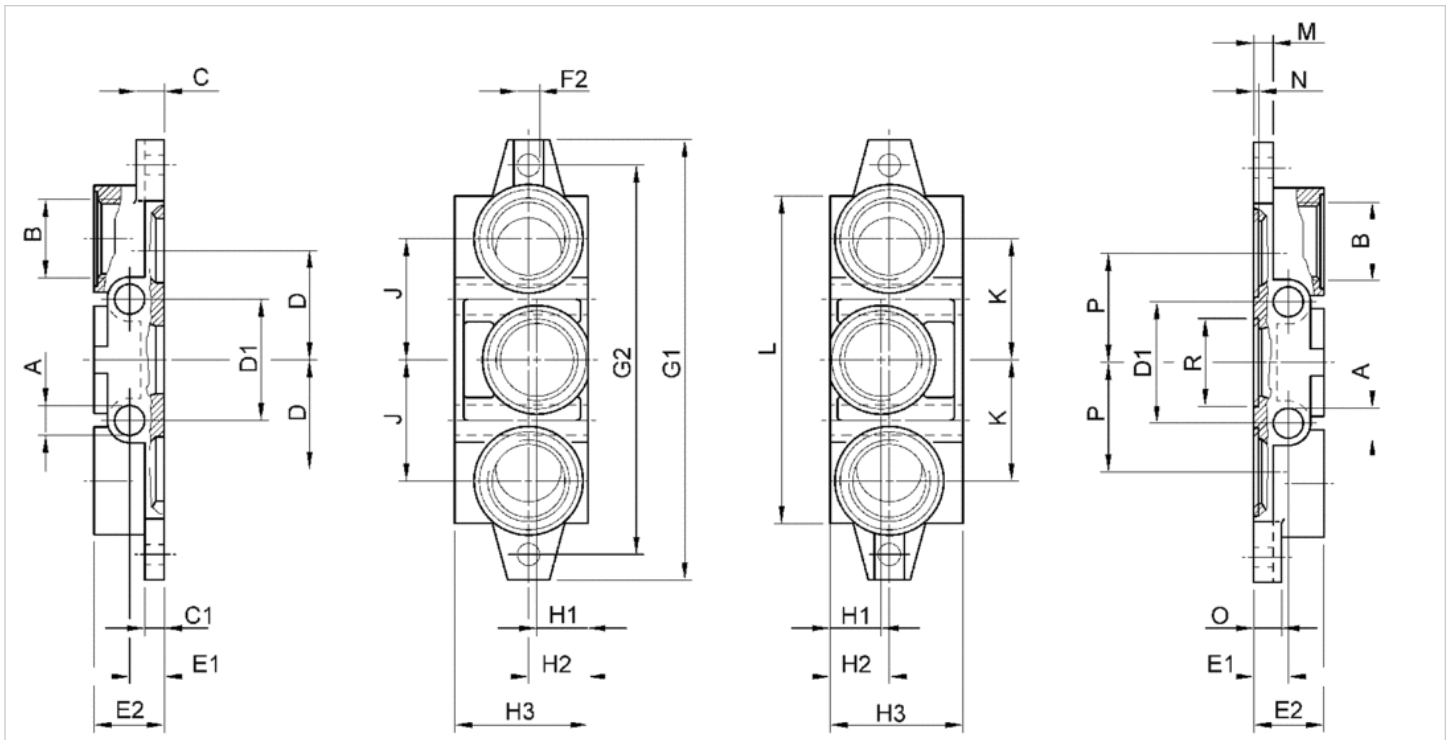
## Technical information

| Material   |                                |
|------------|--------------------------------|
| Base plate | Die-cast aluminum              |
| Seal       | Acrylonitrile butadiene rubber |

## Dimensions



## Dimensions



## Dimensions

|   | ISO 1 | ISO 2 | ISO 3 |
|---|-------|-------|-------|
| A | 7     | 9     | 12    |
| B | G 3/8 | G 1/2 | G 1   |

|    | ISO 1  | ISO 2  | ISO 3 |
|----|--------|--------|-------|
| C  | 8      | 11     | 12    |
| C1 | 6      | 8      | 8     |
| D  | 24     | 31,5   | 47    |
| D1 | 28     | 35     | 52    |
| E1 | 11     | 13     | 15    |
| E2 | 22     | 26     | 32    |
| F2 | Ø 5,5  | Ø 6,6  | Ø 9   |
| G1 | 110    | 135    | 190   |
| G2 | 95     | 115    | 168   |
| H1 | 22     | 23     | 22    |
| H2 | 22     | 24     | 25    |
| H3 | 46     | 47     | 56    |
| J  | 28     | 34     | 52    |
| K  | 28     | 34     | 52    |
| L  | 85     | 100    | 140   |
| M  | 6      | 8      | 8     |
| N  | 2      | 2      | 2,7   |
| O  | 8      | 11     | 12    |
| P  | 24     | 31,5   | 47    |
| R  | Ø 22,1 | Ø 28,7 | Ø 38  |