

Subbase, for direct mounting of ISO valves on cylinders

- standard ISO 5599-1
- Frame size ISO 2
- Compressed air connection output G 3/8



Standards	ISO 5599-1
Working pressure min./max.	-1 ... 16 bar
Ambient temperature min./max.	-20 ... 70 °C
Medium temperature min./max.	-20 ... 70 °C
Medium	Compressed air
Weight	0,58 kg

Technical data

Part No.	Compressed air connection Input [1]	Compressed air connection Output [2 / 4]
5802690000	G 3/8	G 3/8

Part No.	Compressed air connection Exhaust [3 / 5]	Compressed air connection Pilot connection [X]
5802690000	G 3/8	G 1/8

Scope of delivery incl. mounting screws

Ø 63 ... 125 mm

Technical information

The min. control pressure must be adhered to, since otherwise faulty switching and valve failure may result!

The pressure dew point must be at least 15 °C under ambient and medium temperature and may not exceed 3 °C .

The oil content of compressed air must remain constant during the life cycle.

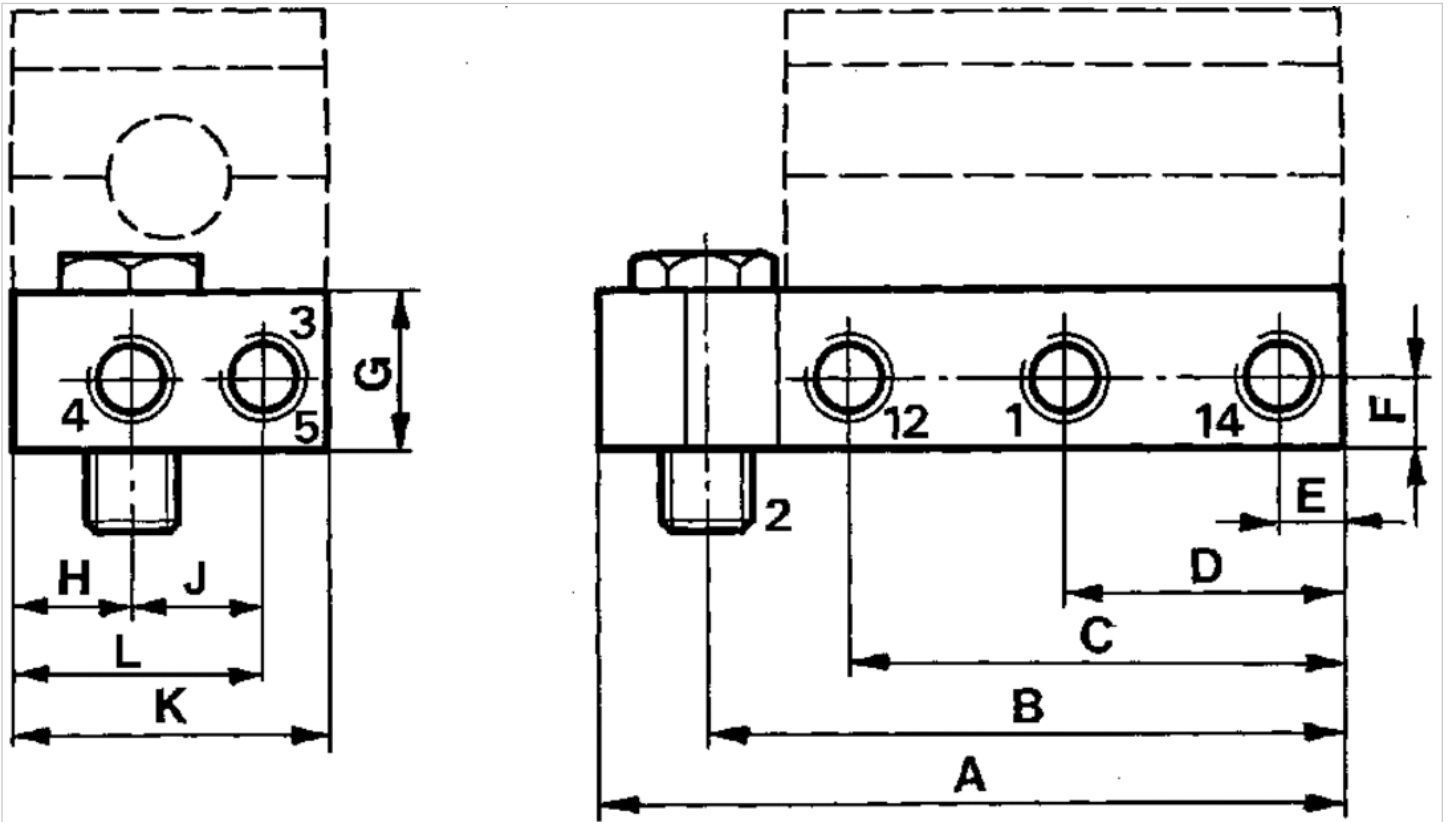
Use only the approved oils from AVENTICS. Further information can be found in the "Technical information" document (available in the MediaCentre).

Technical information

Material	
Base plate	Die-cast aluminum, black anodized
Seal	Acrylonitrile butadiene rubber

Dimensions

Dimensions



Dimensions

Part No.	Frame size	1, 4, 3, (5)	2*	12, 14	A	B	C	D	E	F	G	H	J	K	L
5802690000	ISO 2	G 3/8	G 3/8	G 1/8	127	109.5	81.5	46.5	11.5	13	32	29	26	60	46.5

* Two different threaded banjo bolts are supplied with 5801690000 to be used with different cylinders.