

Sensor mounting, Series CB1

- for series ST6

- to mount on cylinder RPC



Weight

See table

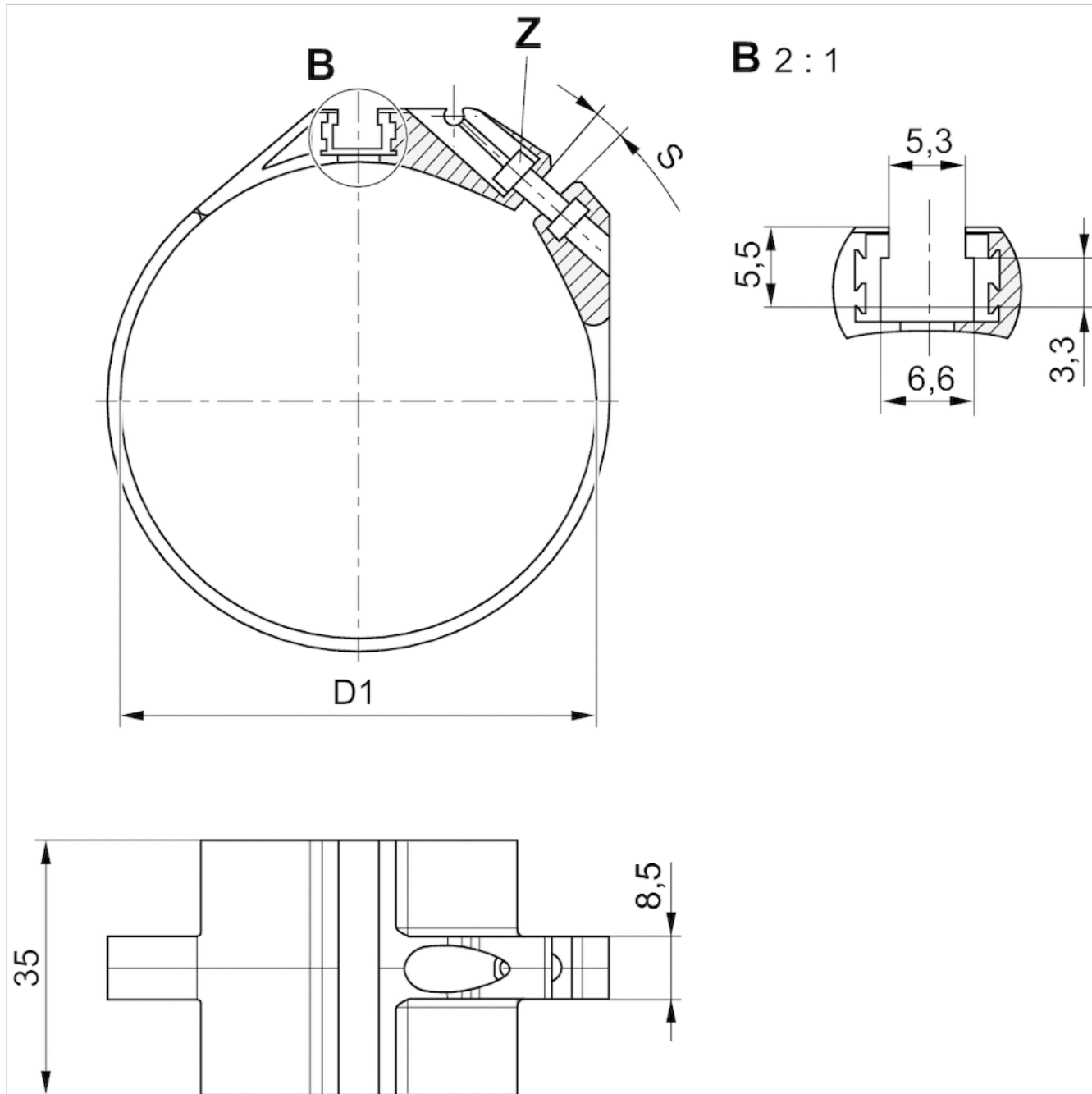
Technical data

Part No.	Cylinders Ø		for series	Weight
	min.	max.		
R412025665	32 mm	32 mm	ST6	0,01 kg
R412025666	40 mm	40 mm	ST6	0,011 kg
R412025667	50 mm	50 mm	ST6	0,013 kg
R412025668	63 mm	63 mm	ST6	0,014 kg

Technical information

Material	
	Polyoxymethylene Aluminum

Dimensions



Dimensions

Part No.	D1	S	Z
R412025665	34	35	ISO 4762 - M3 x 10 A2
R412025666	42	43	ISO 4762 - M3 x 12 A2
R412025667	52,9	54	ISO 4762 - M3 x 12 A2
R412025668	65	66	ISO 4762 - M3 x 12 A2

S = recommended max. spread width [mm]