

Rear eye, Series MP6

- With ball joint and foot

- Suitable piston Ø 52,5 mm



Weight

See table

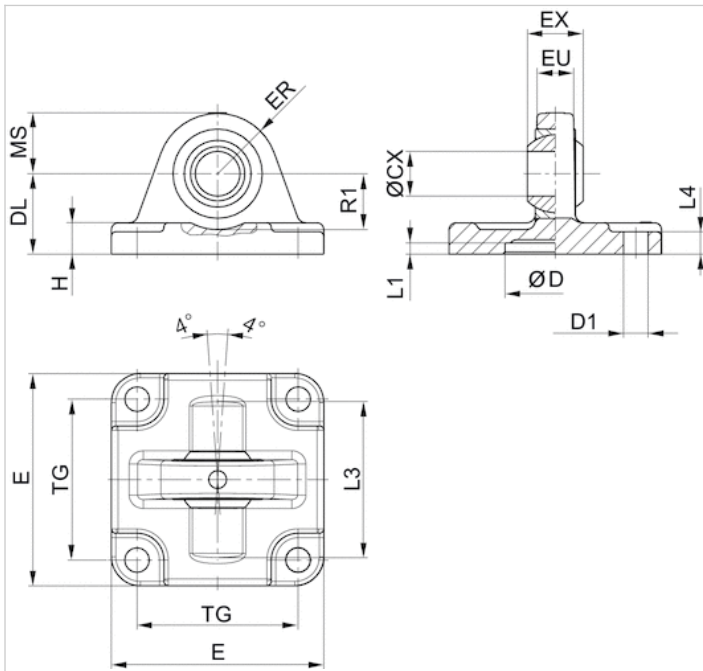
Technical data

Part No.	Piston Ø	Hole Ø	Weight
5220163442	52,5 mm	10 mm	0,2 kg
5220363442	75 mm	12 mm	0,4 kg
5220463442	85 95 mm	16 mm	0,6 kg
5220563442	115 mm	16 mm	1,1 kg

Technical information

Material	
Material	Aluminum
Screws	galvanized steel

Dimensions



Dimensions

Part No.	Piston Ø	ØCX H7	ØD H11	ØD1 H13	DL ±0,2	E	EX -0,1	ER	EU	H	L1 1)	L3	L4
5220163442	52,5 mm	10	-	7.5	29	45	14	15	10.5	8	-	-	-
5220363442	75 mm	12	-	10	26	65	16	18	12	10	-	-	-
5220463442	85 95 mm	16	-	10	30	75	21	22	15	10	-	-	-
5220563442	115 mm	16	-	12	37.5	95	21	25	15	12	-	-	-

MS -0,5	R1 1)	TG
-	-	33
-	-	49
-	-	59
-	-	75

1) Min.