

Profile cylinder ISO 15552, PRA series

- Ø 32-125 mm
- Ports G 1/8 G 1/4 G 3/8 G 1/2
- double-acting
- with magnetic piston
- Cushioning elastic
- Piston rod External thread



Standards	ISO 15552
Compressed air connection	Internal thread
Working pressure min./max.	1,5 ... 10 bar
Ambient temperature min./max.	-20 ... 80 °C
Medium temperature min./max.	-20 ... 80 °C
Medium	Compressed air
Max. particle size	50 µm
Oil content of compressed air	0 ... 5 mg/m ³
Pressure for determining piston forces	6.3 bar



Technical data

Piston Ø Piston rod thread Ports Piston rod Ø	32 mm M10x1,25 G 1/8 12 mm	40 mm M12x1,25 G 1/4 16 mm	50 mm M16x1,5 G 1/4 20 mm	63 mm M16x1,5 G 3/8 20 mm	80 mm M20x1,5 G 3/8 25 mm	100 mm M20x1,5 G 1/2 25 mm
Stroke 25	R480041555	R480041559	R480041563	R480041567	R480041573	R480041577
50	R480041556	R480041560	R480041564	R480041568	R480041574	R480041578
80	R480041557	R480041561	R480041565	R480041569	R480041575	R480041579
100	R480041558	R480041562	R480041566	R480041570	R480041576	R480041580
125	R480151537	R480051376	R480045537	R480054955	R480152097	R480150480
160	R480143129	R480044478	R480156862	R480152784	R480044479	R480051377
200	R480041250	R480151194	R480045822	R480148986	R480068280	R480163053
250	R480162928	R480068778	R480152659	R480069183	R480163037	R480163054
320	R480162929	R480160211	R480042163	R480148534	R480148937	R480155887
400	R480069508	R480162989	R480153304	R480148988	R480157647	R480163055
500	R480048725	R480044634	R480070399	R480154536	R480158439	R480152777

Piston Ø Piston rod thread Ports Piston rod Ø	125 mm M27x2 G 1/2 32 mm
Stroke 25	R480148022
50	R480141034
80	R480143254
100	R480170767
125	R480170768
160	R480144243
200	R480167296
250	R480170769
320	R480170770
400	R480170771
500	R480170772

Technical data

Piston Ø	32 mm	40 mm	50 mm	63 mm	80 mm	100 mm	125 mm
Retracting piston force	435 N	660 N	1035 N	1765 N	2855 N	4635 N	7220 N
Extracting piston force	505 N	790 N	1235 N	1960 N	3165 N	4945 N	7725 N
Impact energy	0,4 J	0,65 J	1 J	1,6 J	2,5 J	3,9 J	6 J
Weight 0 mm stroke	0,5 kg	0,65 kg	1,06 kg	1,42 kg	2,37 kg	3,51 kg	6,72 kg
Weight +10 mm stroke	0,022 kg	0,032 kg	0,047 kg	0,054 kg	0,085 kg	0,1 kg	0,15 kg
Stroke max.	1600 mm	1900 mm	2100 mm	2500 mm	2800 mm	2800 mm	2750 mm

Technical information

The pressure dew point must be at least 15 °C under ambient and medium temperature and may not exceed 3 °C .

The oil content of compressed air must remain constant during the life cycle.

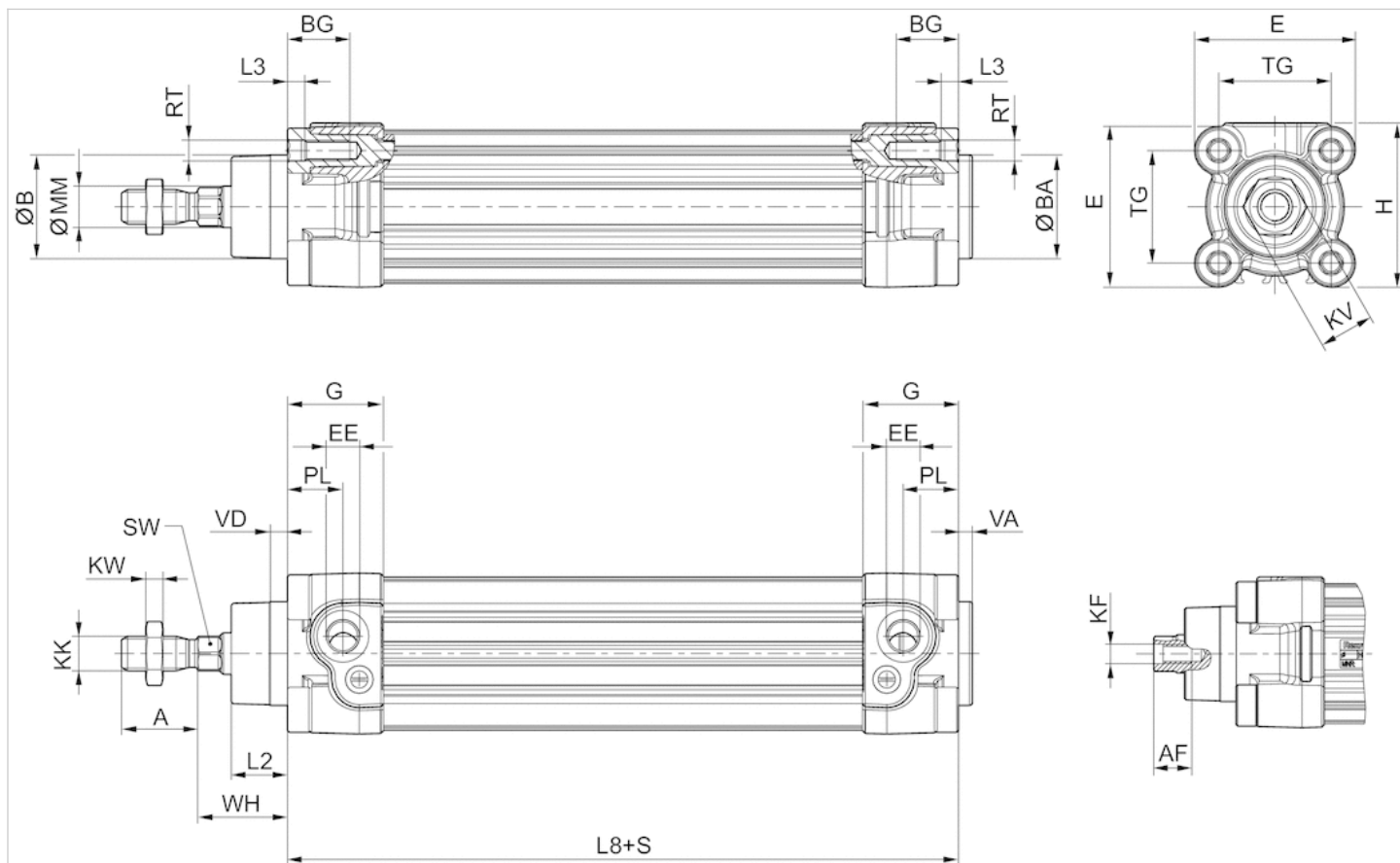
Use only the approved oils from AVENTICS. Further information can be found in the "Technical information" document (available in the MediaCentre).

Technical information

Material	
Cylinder tube	Aluminum, anodized
Piston rod	Stainless steel
Front cover	Die-cast aluminum
End cover	Die-cast aluminum
Seal	Polyurethane
Nut for piston rod	Steel, galvanized
Scraper	Polyurethane

Dimensions

Dimensions



S = stroke

Dimensions

Piston \varnothing	A -2	AF+1	$\varnothing B$ d11	$\varnothing BA$ d11	BG min.	E	EE	G	H	KF	KK	KV	KW
32 mm	22	12	30	30	16	46.5	G 1/8	27.75	47.5	M6	M10x1,25	16	5
40 mm	24	13.5	35	35	16	53	G 1/4	33.25	53	M8	M12x1,25	18	6
50 mm	32	17	40	40	16	65	G 1/4	31	65	M10	M16x1,5	24	8
63 mm	32	17	45	45	16	75	G 3/8	38.25	75	M10	M16x1,5	24	8
80 mm	40	21	45	45	17	95	G 3/8	38.25	95	M12	M20x1,5	30	10
100 mm	40	21	55	55	17	115	G 1/2	42.25	115	M12	M20x1,5	30	10
125 mm	54	28	60	60	20	140	G 1/2	53.85	140	M16	M27x2	41	13.5

Piston \varnothing	$\varnothing MM$ f8	PL	L2	L3 $\pm 0,5$	L8	RT	SW	TG	VA -1	VD	WH
32 mm	12	16	16.25	4.5	94 $\pm 0,4$	M6	10	32,5 $\pm 0,5$	4	5	26 $\pm 1,4$
40 mm	16	20	18.25	4.5	105 $\pm 0,7$	M6	13	38 $\pm 0,5$	4	5	30 $\pm 1,4$
50 mm	20	19	25	4.5	106 $\pm 0,7$	M8	17	46,5 $\pm 0,6$	4	5	37 $\pm 1,4$
63 mm	20	24	25	4.5	121 $\pm 0,8$	M8	17	56,5 $\pm 0,7$	4	5	37 $\pm 1,8$
80 mm	25	23.5	33	0	128 $\pm 0,8$	M10	22	72 $\pm 0,7$	4	5	46 $\pm 1,8$
100 mm	25	25	36	0	138 ± 1	M10	22	89 $\pm 0,7$	4	5	51 $\pm 1,8$
125 mm	32	33	45	0	160 ± 1	M12	27	110 $\pm 1,1$	6	7	65 $\pm 2,2$

Accessories overview

