

Filling valve, pneumatically operated, Series AS2-SSV

- adjustable filling time and change-over pressure
- Compressed air connection G 1/4
- Pipe connection



Version

Sealing principle

Working pressure min./max.

Ambient temperature min./max.

Medium temperature min./max.

Medium

Max. particle size

Weight

Poppet valve, Can be assembled into blocks

Soft sealing

1 ... 16 bar

0 ... 50 °C

0 ... 50 °C

Compressed air Neutral gases

40 µm

0,314 kg

Technical data

Part No.	Port	Pilot connection	Flow
			Qn 1→2
R412006311	G 1/4	G 1/8	1900 l/min
R412006312	G 3/8	G 1/8	1900 l/min

Technical information

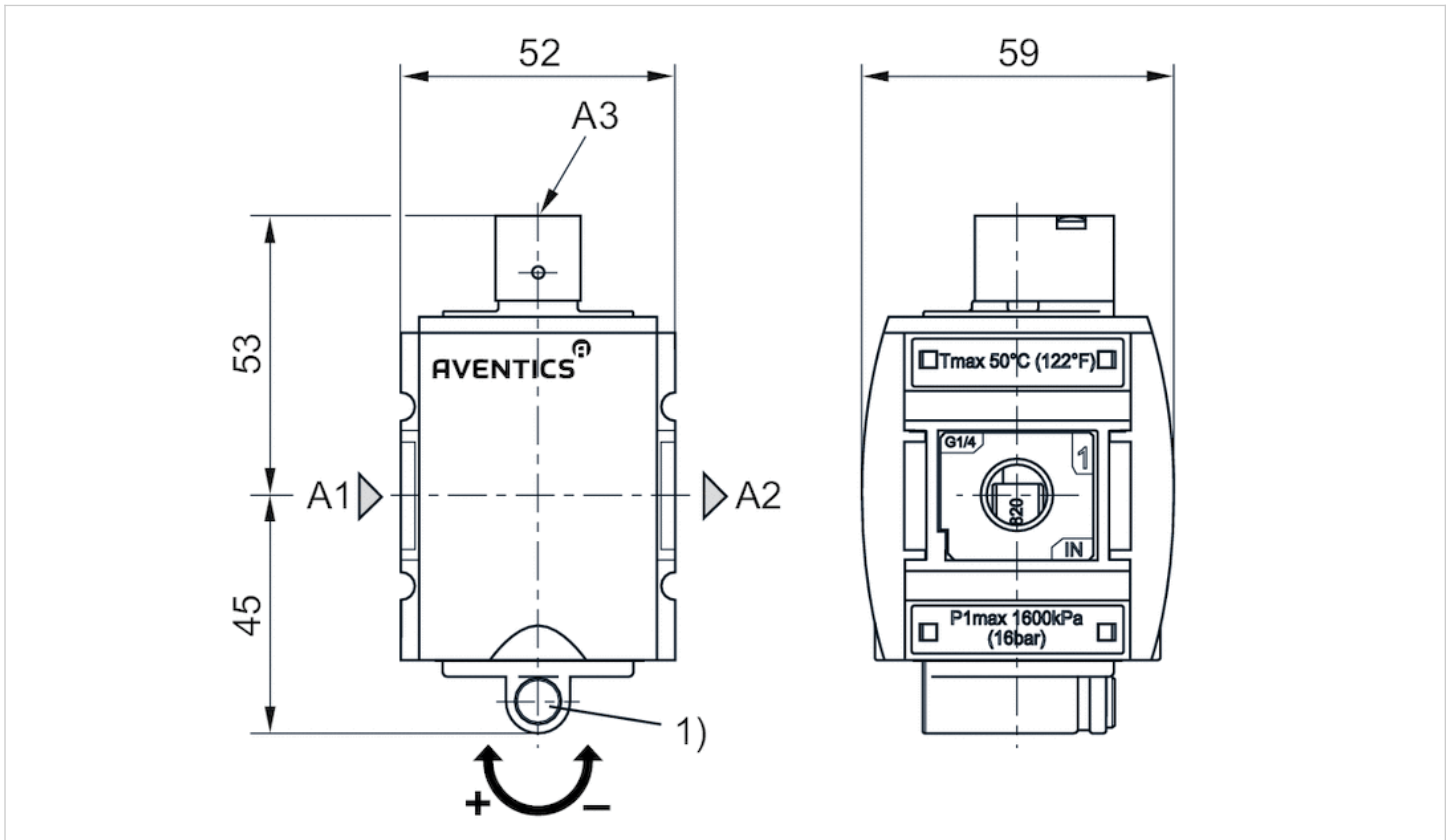
A change in the flow direction (from air supply on the left to air supply on the right) occurs by rotating installation by 180° about the vertical axis. Please see the operating instructions for further details.

Technical information

Material	
Housing	Polyamide
Front plate	Acrylonitrile butadiene styrene
Seals	Acrylonitrile butadiene rubber
Threaded bushing	Die cast zinc

Dimensions

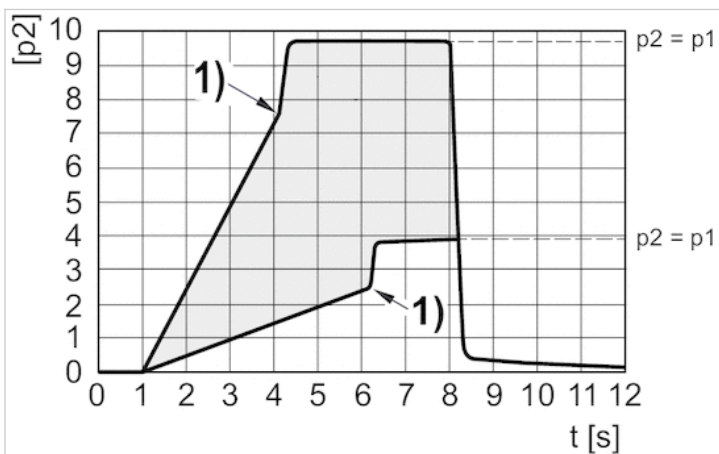
Dimensions



- A1 = input A2 = output
- A3 = control pressure connection
- 1) Adjustment screw for filling time

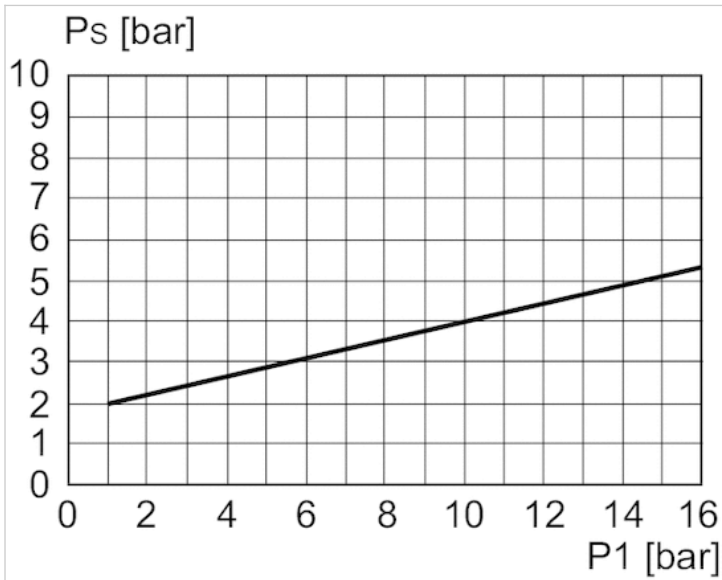
Diagrams

Secondary pressure while filling



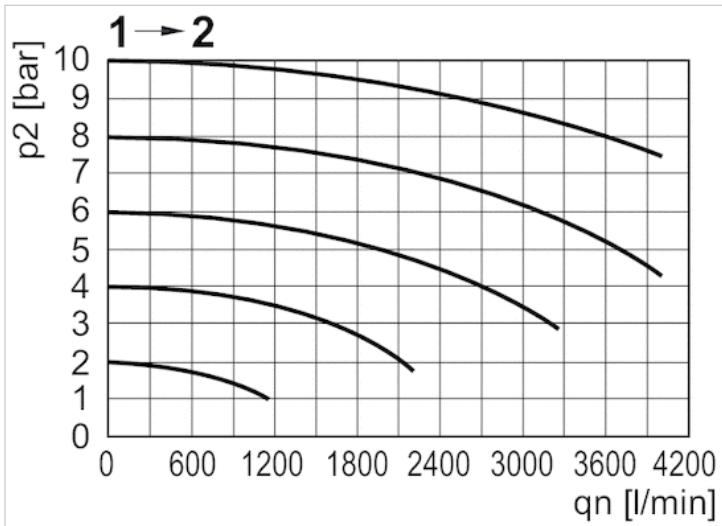
- p1 = working pressure
- p2 = secondary pressure
- t = filling time, adjustable via adjustment screw (throttle)
- Change-over pressure individually adjustable via pneumatic signal
- 1) Switching point: adjustable filling time and change-over pressure

control pressure characteristic



p1 = working pressure
PS = control pressure

Flow rate characteristic



p2 = secondary pressure
qn = nominal flow