

Filling valve, pneumatically operated, Series AS5-SSV

- adjustable filling time and change-over pressure
- Compressed air connection G 3/4
- Pipe connection



Version

Poppet valve, Can be assembled into blocks

Sealing principle

Soft sealing

Working pressure min./max.

See table

Ambient temperature min./max.

-10 ... 50 °C

Medium temperature min./max.

-10 ... 50 °C

Medium

Compressed air Neutral gases

Max. particle size

40 µm

Weight

1 kg

Technical data

Part No.	Port	Pilot connection	Flow	Working pressure min./max.
			Qn 1→2	
R412009311	G 3/4	G 1/8	10000 l/min	1 ... 16 bar
R412009312	G 1	G 1/8	10000 l/min	2,5 ... 16 bar

Technical information

The pressure dew point must be at least 15 °C under ambient and medium temperature and may not exceed 3 °C .

Builds up pressure slowly in the pneumatic systems, i.e. prevents a sudden pressure build-up during a restart after a mains pressure failure or avoids emergency OFF switching. This also avoids dangerous, jerky cylinder movements.

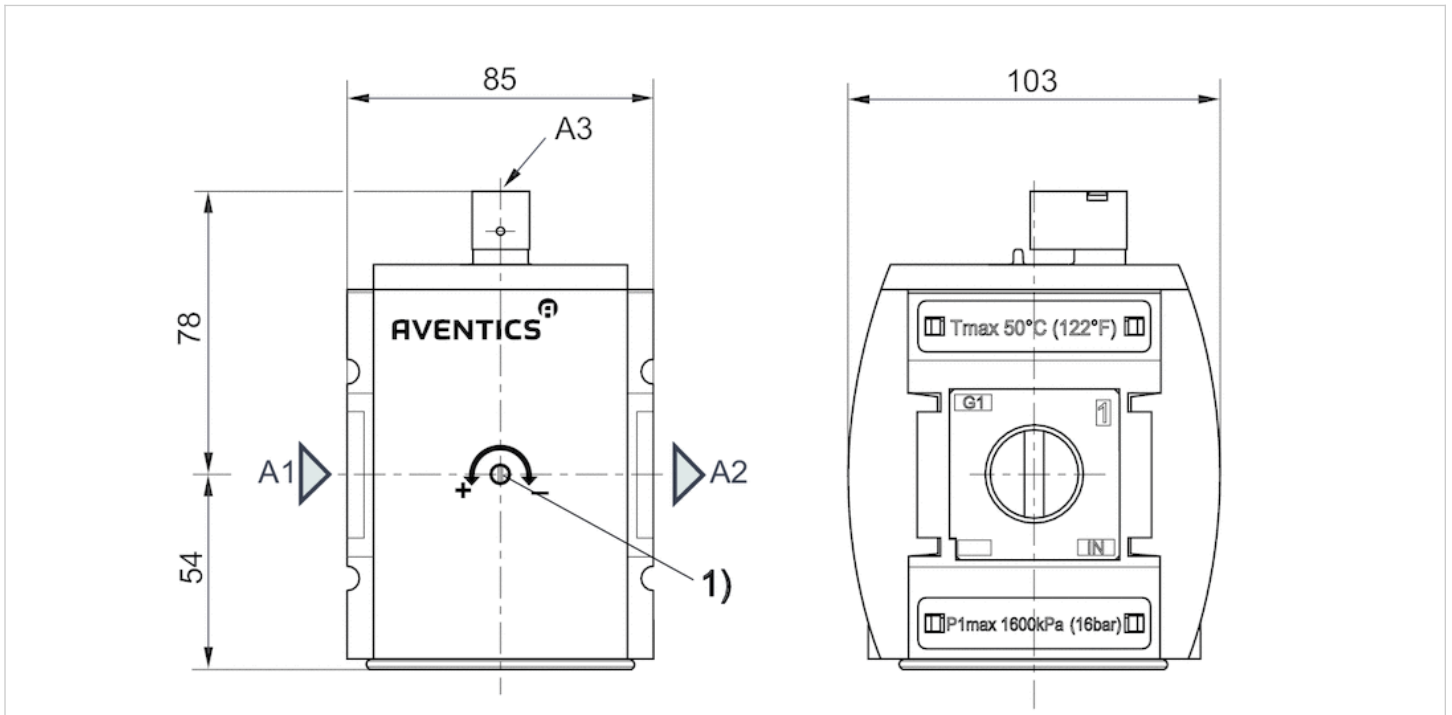
A change in the flow direction (from air supply on the left to air supply on the right) occurs by rotating installation by 180° about the vertical axis. Please see the operating instructions for further details.

Technical information

Material	
Housing	Polyamide
Front plate	Acrylonitrile butadiene styrene
Seals	Acrylonitrile butadiene rubber
Threaded bushing	Die cast zinc

Dimensions

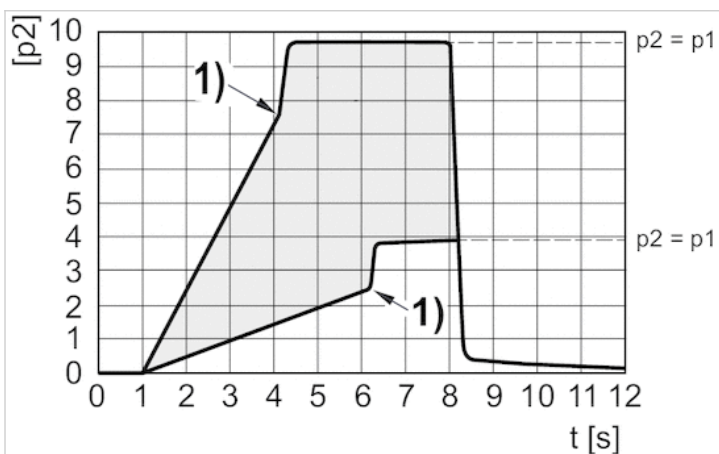
Dimensions



- A1 = input A2 = output
- A3 = control pressure connection
- 1) Adjustment screw for filling time

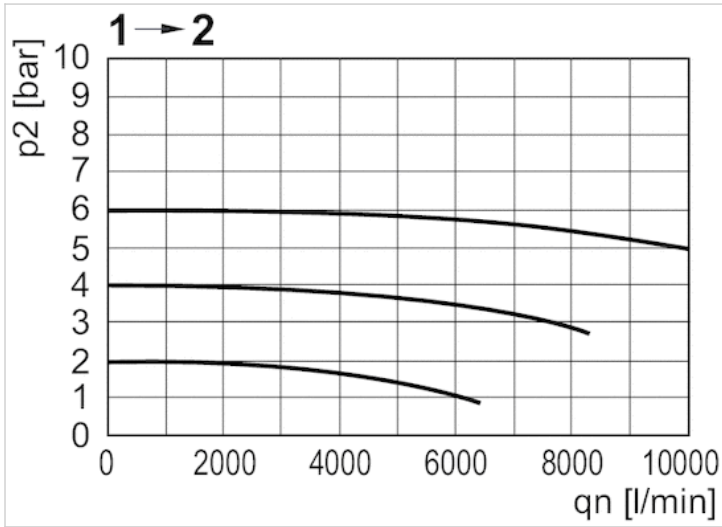
Diagrams

secondary pressure while filling



- p1 = working pressure
- p2 = secondary pressure
- t = filling time, adjustable via adjustment screw (throttle)
- Change-over pressure individually adjustable via pneumatic signal
- 1) Switching point: adjustable filling time and change-over pressure

Flow rate characteristic



p2 = secondary pressure
qn = nominal flow