

Multiple connector



Working pressure min./max. 0 ... 16 bar
Ambient temperature min./max. -20 ... 80 °C

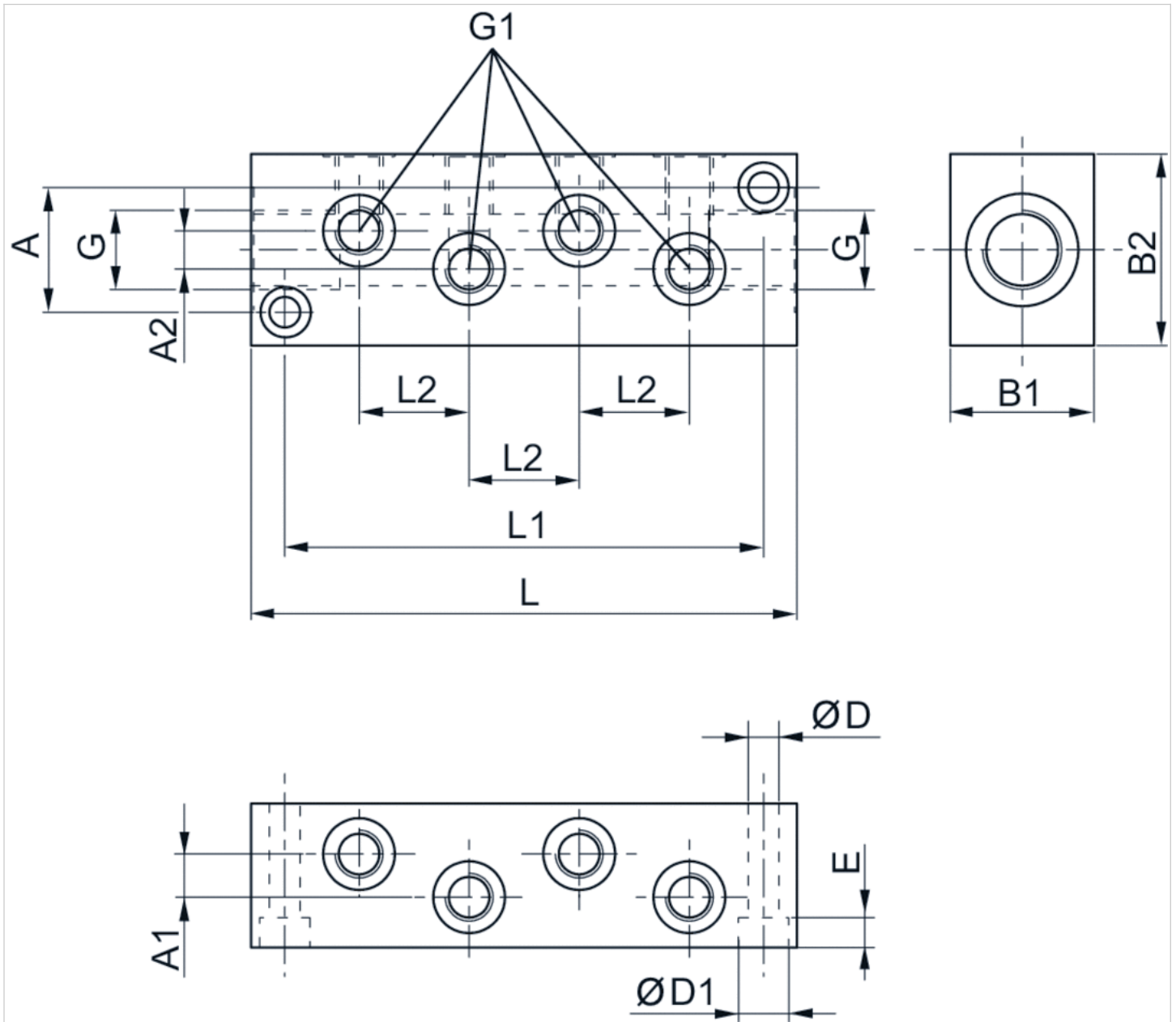
Technical data

Part No.	Port G
R412010007	G 3/8
R412010006	G 3/4

Technical information

Material	
Material	Aluminum anodized

Dimensions



Dimensions

Part No.	G	G1	A	A1	A2	B1	B2	ØD	ØD1	E	L	L1	L2
R412010007	G3/8	G1/8	26	8	8	30	40	6.5	10.5	6.2	114	100	23
R412010006	G3/4	G1/2	40	6	6	45	60	8.5	15	6.2	170	150	36