

Pressure regulator, Series NL1-RGS

- G 1/8 G 1/4
- Qn = 1000 l/min
- Standard pressure regulator
- Activation Mechanical
- suitable for ATEX



Parts	Pressure regulator
Mounting orientation	Any
Certificates	suitable for ATEX
Working pressure min./max.	0,5 ... 16 bar
Ambient temperature min./max.	-10 ... 60 °C
Medium temperature min./max.	-10 ... 60 °C
Medium	Compressed air Neutral gases
Regulator type	Diaphragm-type pressure regulator Can be assembled into blocks
Regulator function	with relieving air exhaust
Adjustment range min./max.	See table below
Pressure supply	single
Activation	Mechanical
Weight	See table below

Technical data

Part No.			Port	Flow	Adjustment range min./max.	Pressure gauge
				Qn		
0821302728			G 1/8	1000 l/min	0,1 ... 3 bar	with pressure gauge
0821302729			G 1/8	1000 l/min	0,2 ... 6 bar	with pressure gauge
0821302730			G 1/8	1000 l/min	0,5 ... 10 bar	with pressure gauge
0821302725		—	G 1/8	1000 l/min	0,1 ... 3 bar	-
0821302726		—	G 1/8	1000 l/min	0,2 ... 6 bar	-
0821302727		—	G 1/8	1000 l/min	0,5 ... 10 bar	-
0821302734			G 1/4	1000 l/min	0,1 ... 3 bar	with pressure gauge
0821302735			G 1/4	1000 l/min	0,2 ... 6 bar	with pressure gauge
0821302736			G 1/4	1000 l/min	0,5 ... 10 bar	with pressure gauge
0821302731		—	G 1/4	1000 l/min	0,1 ... 3 bar	-
0821302732		—	G 1/4	1000 l/min	0,2 ... 6 bar	-
0821302733		—	G 1/4	1000 l/min	0,5 ... 10 bar	-

Part No.	Weight
0821302728	0,294 kg
0821302729	0,294 kg
0821302730	0,294 kg
0821302725	0,24 kg
0821302726	0,24 kg
0821302727	0,24 kg
0821302734	0,294 kg
0821302735	0,294 kg
0821302736	0,294 kg

Part No.	Weight
0821302731	0,24 kg
0821302732	0,24 kg
0821302733	0,24 kg

Nominal flow Qn with secondary pressure p2 = 6 bar at $\Delta p = 1$ bar

Suitable for use in Ex zones 1, 2, 21, 22

Technical information

The pressure dew point must be at least 15 °C under ambient and medium temperature and may not exceed 3 °C .

lockable regulator head

The rear pressure gauge connection on the pressure regulator is closed with a blanking plug, the front connection is open. Depending on the customer application, a second blanking plug may be necessary. Please order separately (see accessories).

Suitable for use in Ex zones 1, 2, 21, 22

A change in the flow direction (from air supply on the left to air supply on the right) occurs by rotating installation by 180° about the vertical axis. Please see the operating instructions for further details.

Relieving exhaust (≤ 0.3 bar over set pressure)

With rear exhaust (> 3 bar)

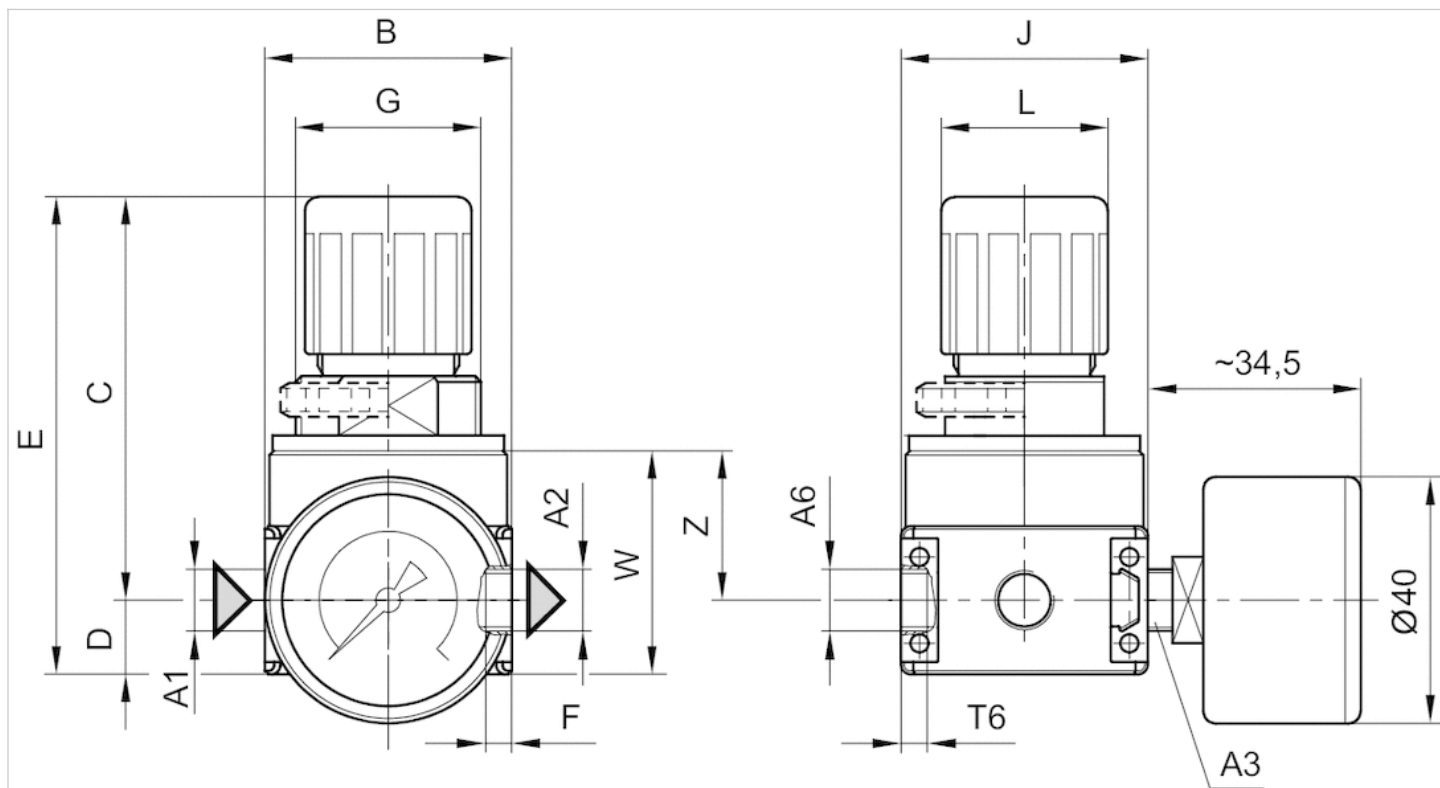
Recommended pre-filtering 5 μ m

Technical information

Material	
Housing	Die cast zinc
Seals	Acrylonitrile butadiene rubber

Dimensions

Dimensions



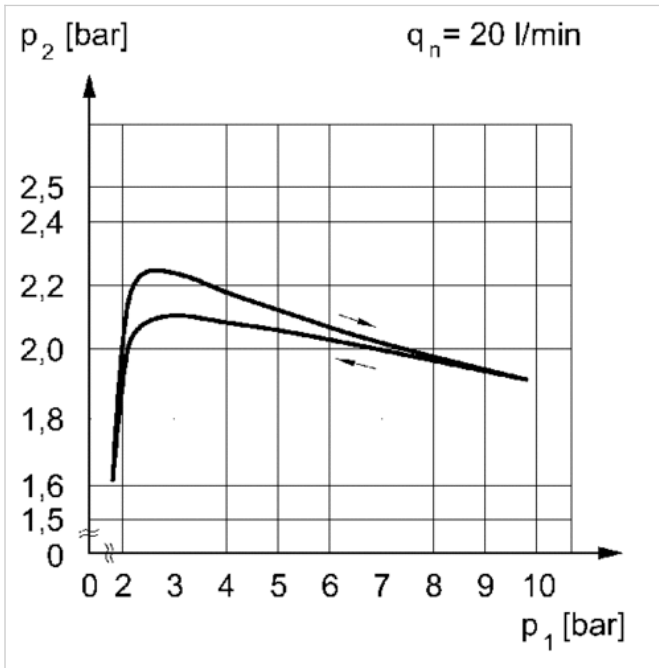
A1 = input
A2 = output
A3 = pressure gauge connection
A6 = ventilation port

Dimensions in mm

A1	A2	A3	A6	B	C	D	E	G	J	L	T2	T6	W	Z
G 1/8	G 1/8	G 1/8	G 1/8	40	65.5	12	77.5	M30x1,5	40	27	8	6	36.2	24.2
G 1/8	G 1/8	G 1/8	G 1/8	40	65.5	12	77.5	M30x1,5	40	27	8	6	36.2	36.2
G 1/8	G 1/8	G 1/8	G 1/8	40	65.5	12	77.5	M30x1,5	40	27	8	6	36.2	24.2
G 1/4	G 1/4	G 1/8	G 1/8	40	65.5	12	77.5	M30x1,5	40	27	8	6	36.2	24.2

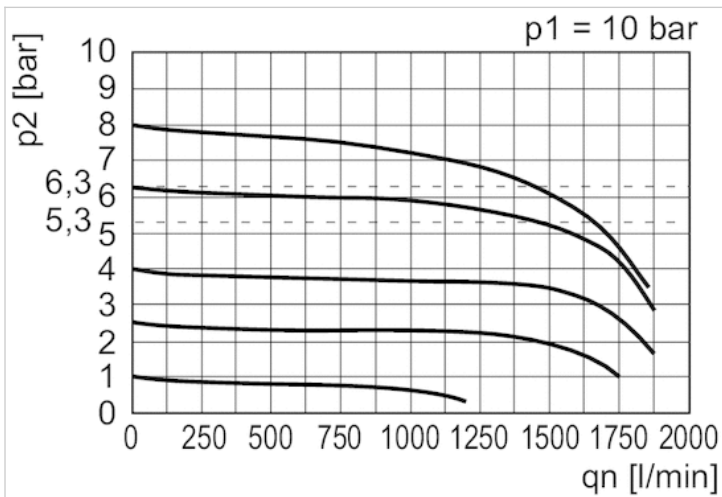
Diagrams

Pressure characteristics curve



p_1 = Working pressure p_2 = Secondary pressure q_n = Nominal flow

Flow rate characteristic (setting range p_2 : 0.5 - 10 bar)



p_1 = Working pressure p_2 = Secondary pressure q_n = Nominal flow