

# Pressure regulator, Series NL2-RGS

- G 1/4 G 3/8
- Qn = 2000 l/min
- Standard pressure regulator
- Activation Mechanical
- lockable
- with key
- suitable for ATEX



Parts	Pressure regulator
Mounting orientation	Any
Certificates	suitable for ATEX
Working pressure min./max.	0,5 ... 16 bar
Ambient temperature min./max.	-10 ... 60 °C
Medium temperature min./max.	-10 ... 60 °C
Medium	Compressed air Neutral gases
Regulator type	Diaphragm-type pressure regulator Can be assembled into blocks with relieving air exhaust
Regulator function	See table below
Adjustment range min./max.	with key
Lock type	single
Pressure supply	Mechanical
Activation	See table below
Weight	

## Technical data

Part No.			Port	Flow	Adjustment range min./max.	Pressure gauge
				Qn		
0821302410			G 1/4	2000 l/min	0,1 ... 3 bar	with pressure gauge
0821302561			G 1/4	2000 l/min	0,2 ... 6 bar	with pressure gauge
0821302402			G 1/4	2000 l/min	0,5 ... 10 bar	with pressure gauge
0821302562		—	G 1/4	2000 l/min	0,1 ... 3 bar	-
0821302407		—	G 1/4	2000 l/min	0,2 ... 6 bar	-
0821302403		—	G 1/4	2000 l/min	0,5 ... 10 bar	-
0821302454			G 3/8	2000 l/min	0,1 ... 3 bar	with pressure gauge
0821302455			G 3/8	2000 l/min	0,2 ... 6 bar	with pressure gauge
0821302442			G 3/8	2000 l/min	0,5 ... 10 bar	with pressure gauge
0821302456		—	G 3/8	2000 l/min	0,1 ... 3 bar	-
0821302457		—	G 3/8	2000 l/min	0,2 ... 6 bar	-
0821302443		—	G 3/8	2000 l/min	0,5 ... 10 bar	-

Part No.	Weight
0821302410	0,41 kg
0821302561	0,41 kg
0821302402	0,41 kg
0821302562	0,325 kg
0821302407	0,325 kg
0821302403	0,325 kg

Part No.	Weight
0821302454	0,41 kg
0821302455	0,41 kg
0821302442	0,41 kg
0821302456	0,325 kg
0821302457	0,325 kg
0821302443	0,325 kg

Nominal flow Qn with secondary pressure p2 = 6 bar at  $\Delta p = 1$  bar

Suitable for use in Ex zones 1, 2, 21, 22

## Technical information

The pressure dew point must be at least 15 °C under ambient and medium temperature and may not exceed 3 °C .

The rear pressure gauge connection on the pressure regulator is closed with a blanking plug, the front connection is open. Depending on the customer application, a second blanking plug may be necessary. Please order separately (see accessories).

Suitable for use in Ex zones 1, 2, 21, 22

A change in the flow direction (from air supply on the left to air supply on the right) occurs by rotating installation by 180° about the vertical axis. Please see the operating instructions for further details.

Relieving exhaust ( $\leq 0.3$  bar over set pressure)

With rear exhaust ( $> 3$  bar )

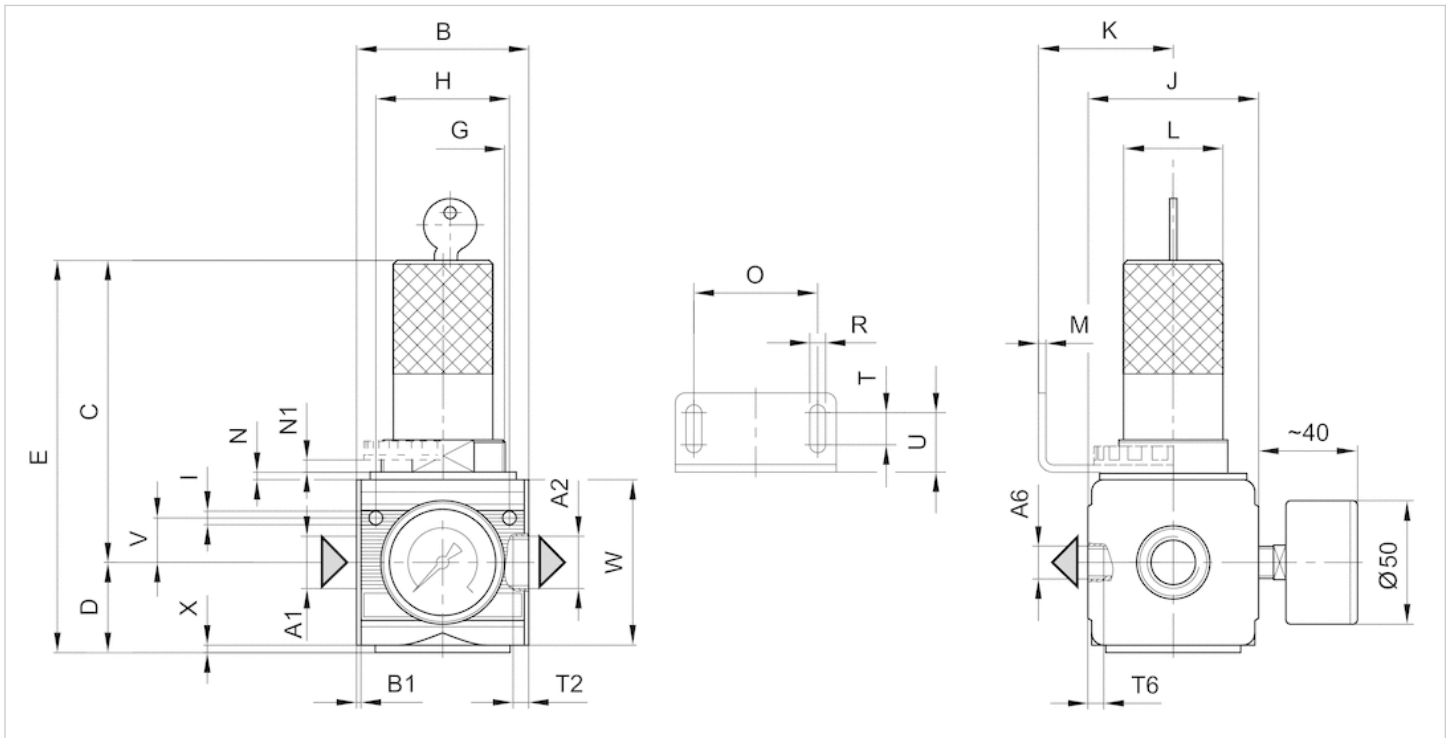
Recommended pre-filtering 5  $\mu$ m

## Technical information

Material	
Housing	Die cast zinc
Front plate	Acrylonitrile butadiene styrene
Seals	Acrylonitrile butadiene rubber

# Dimensions

## Dimensions



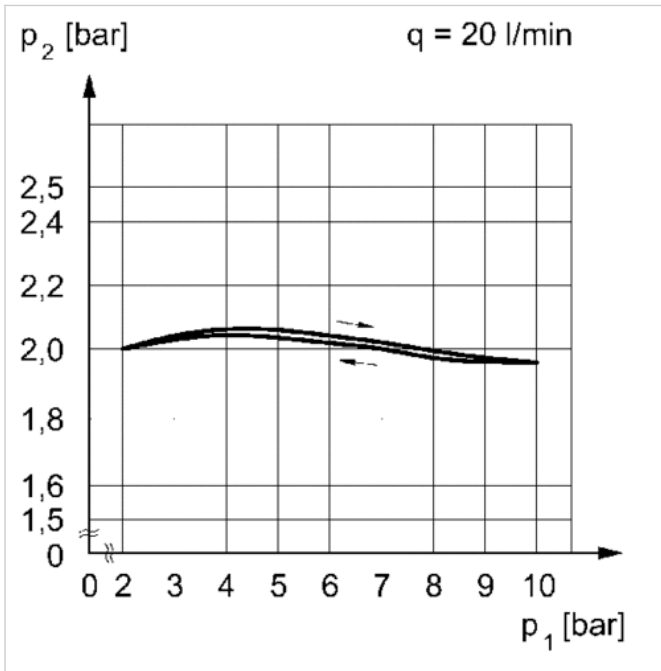
A1 = input A2 = output A6 = output

## Dimensions in mm

A2	A6	B	B1	C	D	E	G	H	I	J	K	L	M	N	N1	O	R	T2	T6	U	V	W	X
G 1/4	G 1/4	48	1.5	96.5	27	123.5	M30x1,5	36	4.4	47	43.5	28	3	3	3.5	38	5.4	9.5	7	18.5	12.3	52	1
G 3/8	G 1/4	48	1.5	96.5	27	123.5	M30x1,5	36	4.4	47	43.5	28	3	3	3.5	38	5.4	9.5	7	18.5	12.3	52	1

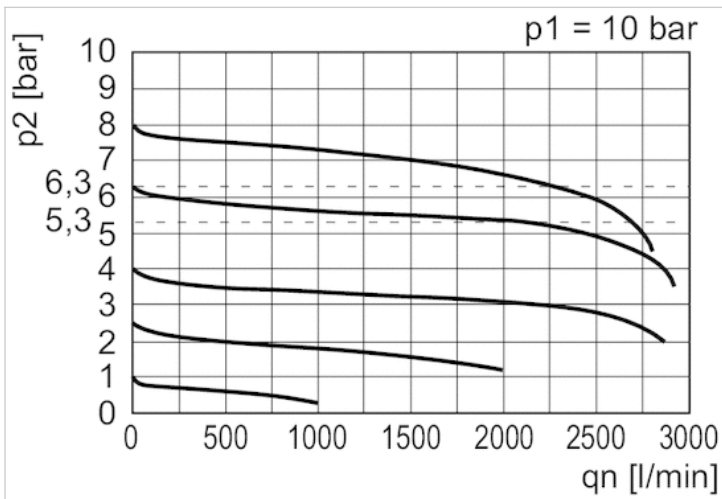
# Diagrams

## Pressure characteristics curve



$p_1$  = working pressure  $p_2$  = secondary pressure  $q$  = flow rate

## Flow rate characteristic (setting range $p_2$ : 0.5 - 10 bar)



$p_1$  = Working pressure  $p_2$  = Secondary pressure  $q_n$  = Nominal flow