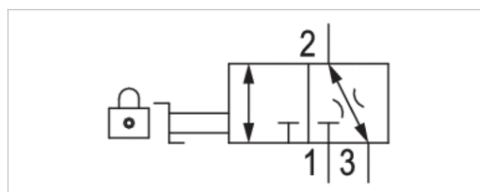


# 3/2-shut-off valve, mechanically operated, Series AS2-BAV

- G 1/4 G 3/8
- lockable
- for padlocks
- suitable for ATEX



Version	Poppet valve
Activation	Mechanical
Lock type	lockable
Actuating element	rotary switch
Sealing principle	Soft sealing
Certificates	suitable for ATEX
Working pressure min./max.	0 ... 16 bar
Ambient temperature min./max.	-10 ... 50 °C
Medium temperature min./max.	-10 ... 50 °C
Medium	Compressed air Neutral gases
Max. particle size	25 µm
Weight	0,206 kg



## Technical data

Part No.	Compressed air connection	
	Input	Output
R412006260	G 1/4	G 1/4
R412006256	G 1/4	G 1/4
R412006261	G 3/8	G 3/8
R412006257	G 3/8	G 3/8

Part No.	Compressed air connection		Flow	Flow	Lock type
	Exhaust	Qn 1 ▶ 2			
R412006260	G 1/4	2000 l/min	380 l/min	for padlocks	
R412006256	G 1/4	2000 l/min	380 l/min	for padlocks	
R412006261	G 1/4	2000 l/min	380 l/min	for padlocks	
R412006257	G 1/4	2000 l/min	380 l/min	for padlocks	

Part No.	Locking base
R412006260	Polyoxymethylene
R412006256	Steel galvanized
R412006261	Polyoxymethylene
R412006257	Steel galvanized

Nominal flow Qn with secondary pressure p2 = 6 bar at Δp = 1 bar

Suitable for use in Ex zones 1, 2, 21, 22

## Technical information

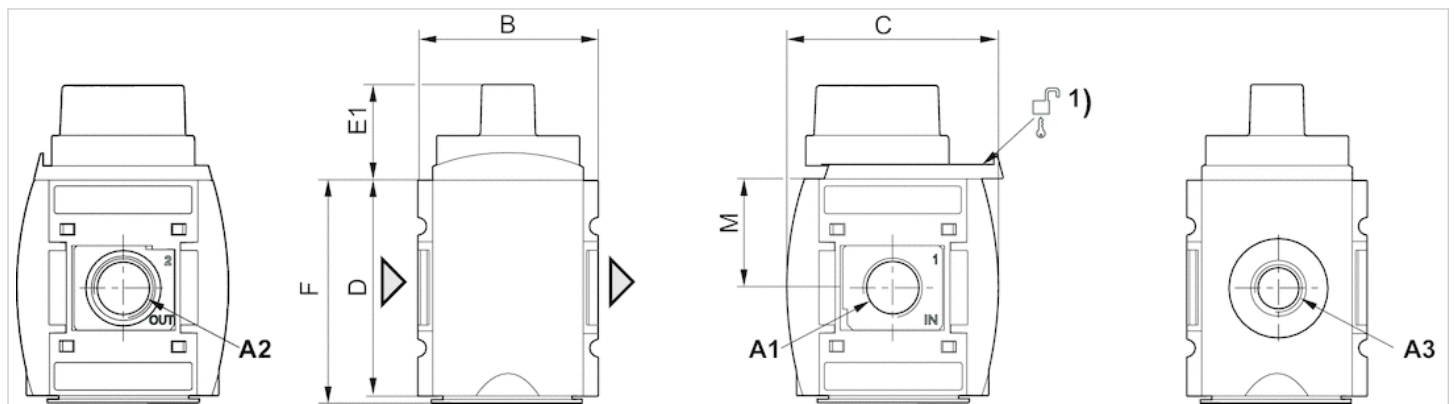
The pressure dew point must be at least 15 °C under ambient and medium temperature and may not exceed 3 °C .  
A short silencer is required for wall mounting (see accessories e.g. R412004817).  
Suitable for use in Ex zones 1, 2, 21, 22

## Technical information

Material	
Housing	Polyamide
Front plate	Acrylonitrile butadiene styrene
Seals	Acrylonitrile butadiene rubber
Threaded bushing	Die cast zinc
Actuating element	Polyoxymethylene
Locking base	Polyoxymethylene Steel, galvanized

## Dimensions

### Dimensions



A1 = input A2 = output A3 = ventilation port  
1) Mounting option for padlocks; max. shackle Ø 8

### Dimensions in mm

A2	A3	B	C	D	E1	F	M
G 1/4	G 1/4	52	59	65	20.5	67	34
G 3/8	G 1/4	52	59	65	20.5	67	34