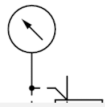


Pressure regulator, Series NL4-RGS

- G 1/2
- Qn = 9500 l/min
- Standard pressure regulator
- Activation Mechanical
- with pressure gauge
- lockable
- with key
- suitable for ATEX



Parts	Pressure regulator
Mounting orientation	Any
Certificates	suitable for ATEX
Working pressure min./max.	0,5 ... 16 bar
Ambient temperature min./max.	-10 ... 60 °C
Medium temperature min./max.	-10 ... 60 °C
Medium	Compressed air Neutral gases
Regulator type	Diaphragm-type pressure regulator Can be assembled into blocks
Regulator function	with relieving air exhaust
Adjustment range min./max.	See table
Lock type	with key
Pressure supply	single
Activation	Mechanical
Weight	See table



Technical data

Part No.			Port	Flow	Adjustment range min./max.	Pressure gauge
				Qn		
0821302581			G 1/2	9500 l/min	0,1 ... 3 bar	with pressure gauge
0821302582			G 1/2	9500 l/min	0,2 ... 6 bar	with pressure gauge
0821302502			G 1/2	9500 l/min	0,5 ... 10 bar	with pressure gauge
0821302583		—	G 1/2	9500 l/min	0,1 ... 3 bar	-
0821302584		—	G 1/2	9500 l/min	0,2 ... 6 bar	-
0821302503		—	G 1/2	9500 l/min	0,5 ... 10 bar	-
0821302548			G 3/4	9500 l/min	0,1 ... 3 bar	with pressure gauge
0821302549			G 3/4	9500 l/min	0,2 ... 6 bar	with pressure gauge
0821302542			G 3/4	9500 l/min	0,5 ... 10 bar	with pressure gauge
0821302550		—	G 3/4	9500 l/min	0,1 ... 3 bar	-
0821302551		—	G 3/4	9500 l/min	0,2 ... 6 bar	-
0821302543		—	G 3/4	9500 l/min	0,5 ... 10 bar	-

Part No.	Weight
0821302581	0,935 kg
0821302582	0,935 kg
0821302502	0,935 kg
0821302583	0,85 kg
0821302584	0,85 kg

Part No.	Weight
0821302503	0,85 kg
0821302548	0,935 kg
0821302549	0,935 kg
0821302542	0,935 kg
0821302550	0,85 kg
0821302551	0,85 kg
0821302543	0,85 kg

Technical information

The pressure dew point must be at least 15 °C under ambient and medium temperature and may not exceed 3 °C .

The rear pressure gauge connection on the pressure regulator is closed with a blanking plug, the front connection is open. Depending on the customer application, a second blanking plug may be necessary. Please order separately (see accessories).

Suitable for use in Ex zones 1, 2, 21, 22

A change in the flow direction (from air supply on the left to air supply on the right) occurs by rotating installation by 180° about the vertical axis. Please see the operating instructions for further details.

Relieving exhaust (≤ 0.3 bar over set pressure)

With rear exhaust (> 3 bar)

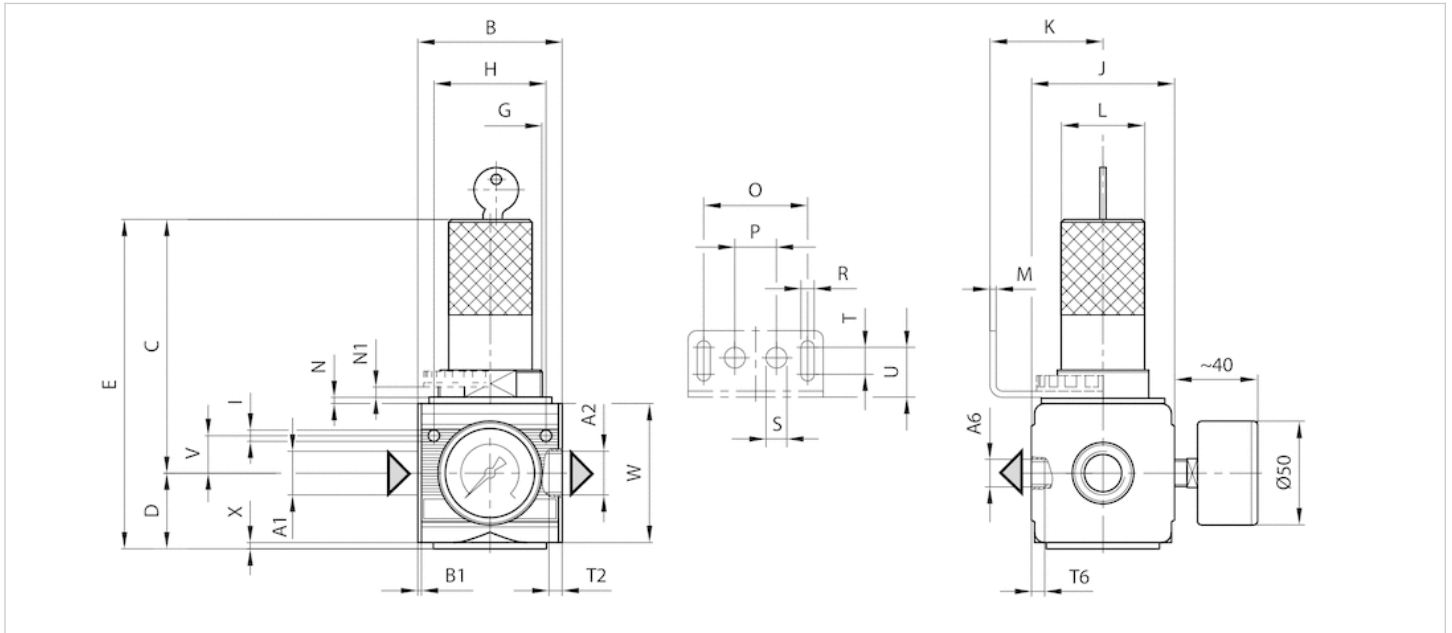
Recommended pre-filtering 5 μ m

Technical information

Material	
Housing	Die cast zinc
Front plate	Acrylonitrile butadiene styrene
Seals	Acrylonitrile butadiene rubber

Dimensions

Dimensions



A1 = input
A2 = output
A6 = output

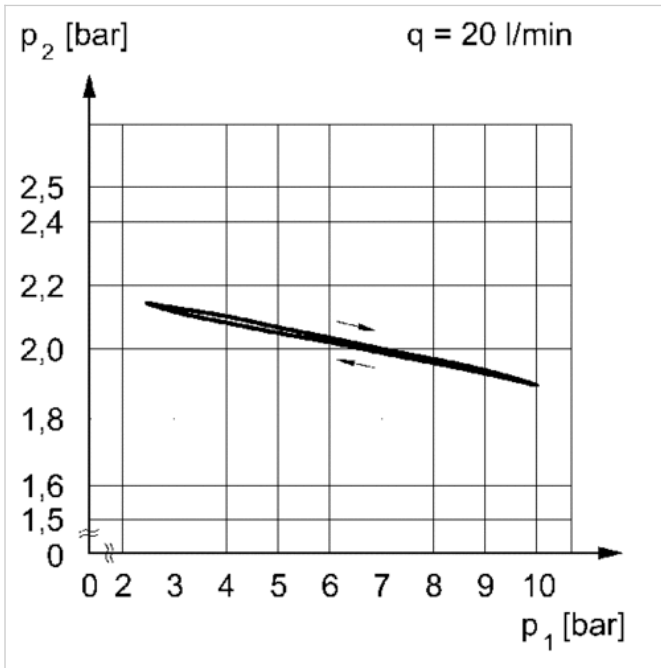
Dimensions in mm

A1	A2	A6	B	B1	C	D	E	G	H	I	J	K	L	M	N	N1	O	P	R	S	T	T2
G 1/2	G 1/2	G 1/4	69.5	1.8	122	35.5	157.5	M50x1,5	54	5.5	67	54.5	46	3	3	5.5	50	20	6.4	10	13	13
G 1/2	G 1/2	G 1/4	69.5	1.8	122	35.5	157.5	M50x1,5	54	5.5	67	54.5	46	3	3	5.5	50	20	6.4	10	13	13
G 1/2	G 1/2	G 1/4	69.5	1.8	122	35.5	157.5	M50x1,5	54	5.5	67	54.5	46	3	3	5.5	50	20	6.4	10	13	13
G 3/4	G 3/4	G 1/4	69.5	1.8	122	35.5	157.5	M50x1,5	54	5.5	67	54.5	46	3	3	5.5	50	20	6.4	10	13	13

T6	U	V	W	X
7	24	18	67	2
7	24	18	67	2
7	24	18	67	2
7	24	18	67	2

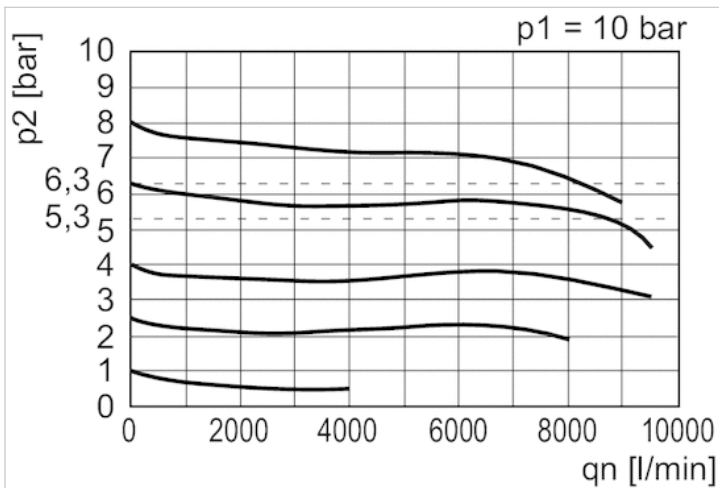
Diagrams

Pressure characteristics curve



p_1 = working pressure p_2 = secondary pressure q = flow rate

Flow rate characteristic (setting range p_2 : 0.5 - 10 bar)



p_1 = Working pressure p_2 = Secondary pressure q_n = Nominal flow