

Blanking screw with O-ring, Series FPT

- External thread
- G 1/2
- FPT-C-RBA



Working pressure min./max.

0 ... 16 bar

Ambient temperature min./max.

-20 ... 150 °C

Technical data

Part No.	Port G	Delivery unit
R412010045	G 1/8	2 piece
R412010683	G 1/4	2 piece
R412010684	G 3/8	2 piece
R412010044	G 1/2	2 piece

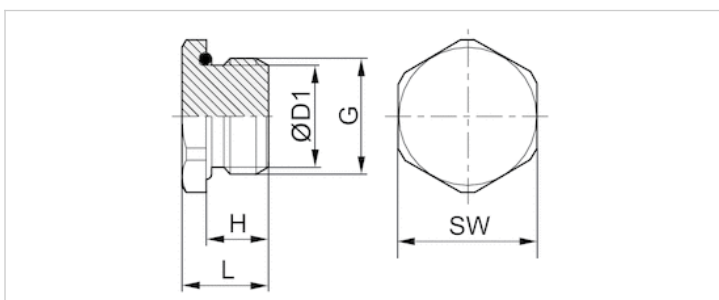
Technical information

Material

Material	Stainless steel
Seal	Fluorocaoutchouc

Dimensions

Dimensions



Dimensions

Part No.	Port G	ØD1	H	L	SW
R412010045	G 1/8	8.3	5.5	9.5	13
R412010683	G 1/4	11.2	8	11.5	17
R412010684	G 3/8	14.8	9	12.5	20
R412010044	G 1/2	17	9	14	24