

# Pneumatic pulse generator

- Qn = 50 l/min
- Pulse spacing 1 s
- Compressed air connection input M5



Working pressure min./max.	2 ... 6 bar
Control pressure min./max.	2 ... 6 bar
Ambient temperature min./max.	0 ... 60 °C
Medium temperature min./max.	0 ... 60 °C
Medium	Compressed air
Max. particle size	40 µm
Oil content of compressed air	0 ... 0,1 mg/m <sup>3</sup>
time deviation max.	-15%
Weight	0,177 kg
	The max. time deviation applies to the first time unit.

## Technical data

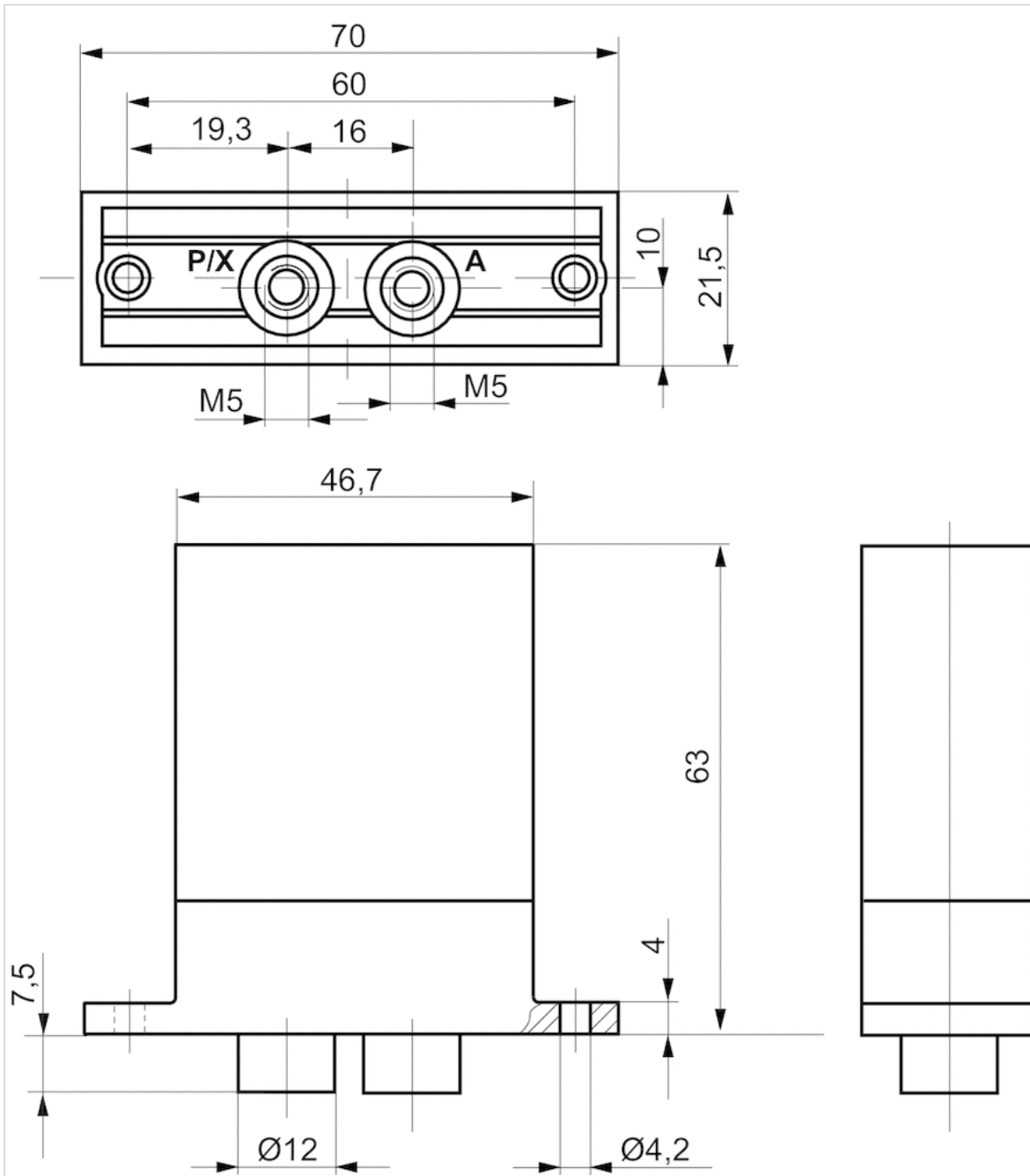
Part No.	Compressed air connection	Flow	Pulse spacing	runtime error
	Input	Qn		
0820215115	M5	50 l/min	1 s	±2,0

## Technical information

Notice: This product may only be operated with oil-free, dry compressed air.  
The pressure dew point must be at least 15 °C under ambient and medium temperature and may not exceed 3 °C .

# Dimensions

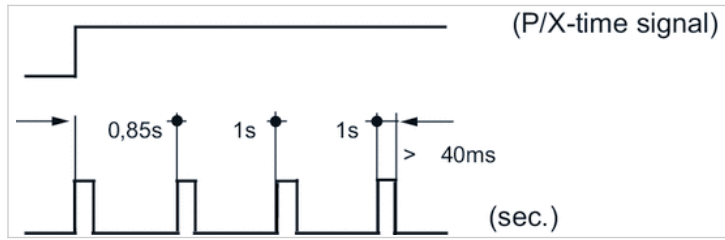
## Dimensions



P/X = Input  
 A = connection output

## Diagrams

### Function sequence



P/X time signal = P/X time signal

sec. = pulse duration 1 second

When air is supplied to the P/X inlet, the pulse generator starts up and starts sending one compressed air pulse per second or per minute.