

End plate right

- standard ISO 5599-1
- Frame size ISO 1 ISO 2 ISO 3
- type C



Standards	ISO 5599-1
Working pressure min./max.	-0,95 ... 16 bar
Ambient temperature min./max.	-15 ... 70 °C
Medium temperature min./max.	-15 ... 70 °C
Medium	Compressed air
Weight	See table below

Technical data

Part No.	Frame size	Compressed air connection Input [1]	Compressed air connection Exhaust [3 / 5]	Weight
R432037651	ISO 1	G 3/8	G 3/8	0,32 kg
R432037653	ISO 2	G 3/4	G 3/4	0,491 kg
R432037655	ISO 3	G 1	G 1	1,315 kg

Scope of delivery incl. seal and mounting screws

Technical information

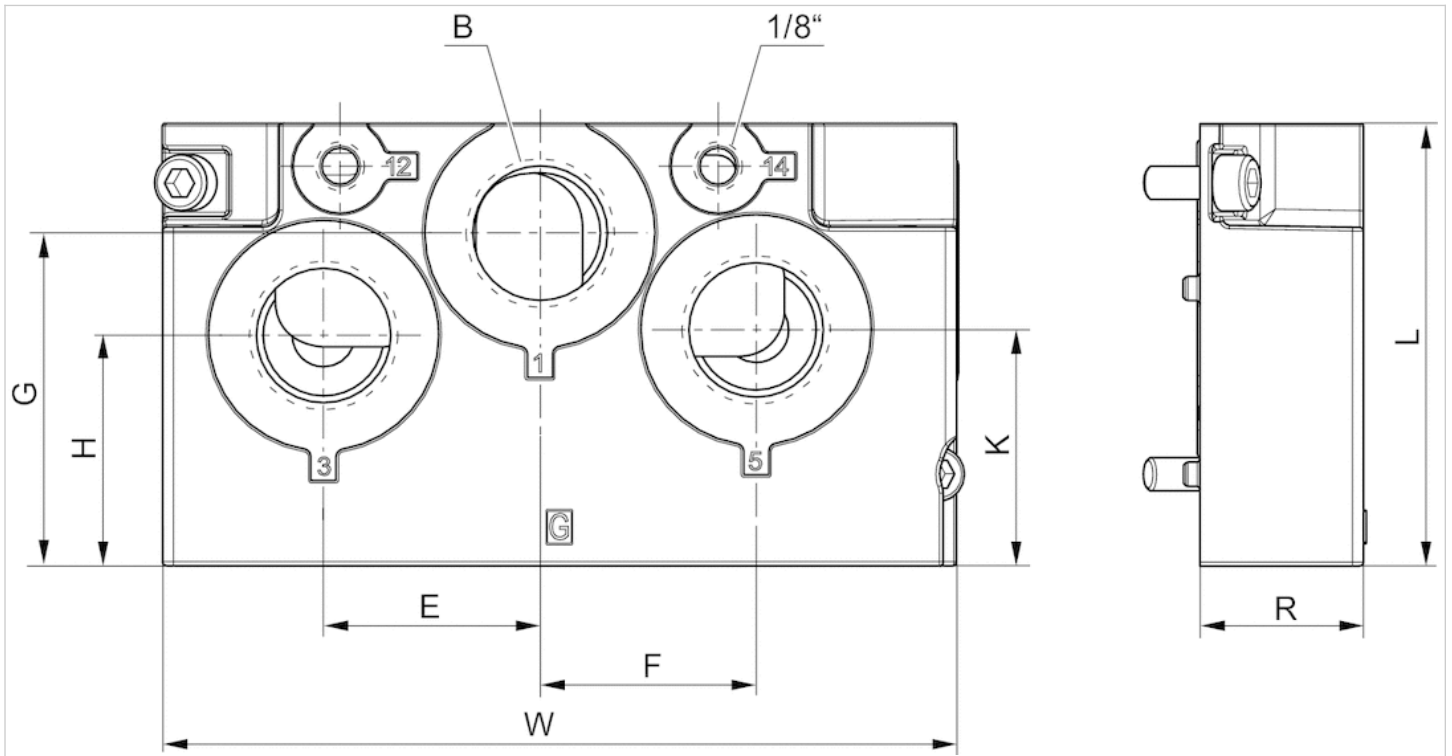
The min. control pressure must be adhered to, since otherwise faulty switching and valve failure may result!
The pressure dew point must be at least 15 °C under ambient and medium temperature and may not exceed 3 °C .
The oil content of compressed air must remain constant during the life cycle.
Use only the approved oils from AVENTICS. Further information can be found in the "Technical information" document (available in the MediaCentre).

Technical information

Material	
Surface	painted
Base plate	Die-cast aluminum, black painted
Seal	Acrylonitrile butadiene rubber

Dimensions

Dimensions



Dimensions

Part No.	Frame size	B	E	F	G	H	J	K	R	L	W
R432037651	ISO 1	3/8	23	18	15.5	30	20	37.5	25	60.6	135
R432037653	ISO 2	3/4	39	39	60	41.5	38	42.5	29.5	79.7	143
R432037655	ISO 3	1	49	49	76	53	32	53	36	100	164