

QR1-S standard series

- Straight female stud fitting
- Internal thread
- G 1/8 G 1/4 G 3/8 G 1/2
- push-in fitting
- Ø 4 Ø 6 Ø 8 Ø 10 Ø 12
- QR1-S-RAI



Working pressure min./max.

-0,95 ... 10 bar

Ambient temperature min./max.

0 ... 60 °C

Weight

See table below

Technical data

Part No.	Port G	Port D	Delivery unit	Weight
2121904180	G 1/8	Ø 4	10 piece	0,015 kg
2121906180	G 1/8	Ø 6	10 piece	0,016 kg
2121908180	G 1/8	Ø 8	10 piece	0,018 kg
R412005085	G 1/4	Ø 4	10 piece	0,021 kg
2121906140	G 1/4	Ø 6	10 piece	0,022 kg
2121908140	G 1/4	Ø 8	10 piece	0,024 kg
R412005089	G 1/4	Ø 10	10 piece	0,028 kg
R412005091	G 1/4	Ø 12	10 piece	0,052 kg
R412005086	G 3/8	Ø 6	10 piece	0,023 kg
R412005087	G 3/8	Ø 8	10 piece	0,035 kg
2121910380	G 3/8	Ø 10	10 piece	0,038 kg
2121912380	G 3/8	Ø 12	10 piece	0,05 kg
R412005090	G 1/2	Ø 10	10 piece	0,048 kg
2121912120	G 1/2	Ø 12	10 piece	0,053 kg

Weight per piece

Technical information

The series QR1 (plastic) and QR2 (metal) can not be combined

For further information about assembling and tolerances of adaptable tubing can be found in the "Technical information" document (available in the MediaCentre).

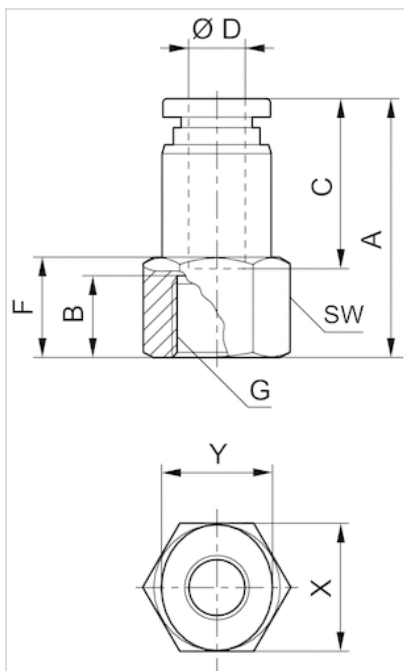
Technical information

Material

Material	nickel-plated
Housing	Brass, nickel-plated
Seal	Acrylonitrile butadiene rubber
Tooth lock washer	Stainless steel
Release ring	Polyoxymethylene
Release ring holder	Die cast zinc Brass, nickel-plated
Thread	Brass, nickel-plated

Dimensions

Dimensions



Dimensions

Part No.	Port D	Port G	A	B	C	F	SW	X	Y
2121904180	Ø 4	G 1/8	26.2	9	16	11	14	12	10
2121906180	Ø 6	G 1/8	27.2	9	17	12	14	14	12
2121908180	Ø 8	G 1/8	28.5	9	18.5	12	14	16	14
R412005085	Ø 4	G 1/4	29.2	12	16	14	17	12	10
2121906140	Ø 6	G 1/4	30.2	12	17	14	17	14	12
2121908140	Ø 8	G 1/4	31.3	12	18.5	15	17	16	14
R412005089	Ø 10	G 1/4	34	12	21	13	17	19	17
R412005091	Ø 12	G 1/4	35.5	12	22.5	13	21	23	21
R412005086	Ø 6	G 3/8	31.2	13	17	15	21	14	12
R412005087	Ø 8	G 3/8	32.5	13	18.5	16	21	16	14
2121910380	Ø 10	G 3/8	35	13	21	15	21	19	17

UK Office
 5 Caulside Drive
 Antrim
 BT41 2DU
 United Kingdom
 +44 (0) 28 9448 1808

European Office
 Unit 6, Saint Anthony's Business Park
 Dublin
 D22 VW95
 Ireland
 +353 (0) 1 4373653



Part No.	Port D	Port G	A	B	C	F	SW	X	Y
2121912380	Ø 12	G 3/8	36.5	13	22.5	14	21	23	21
R412005090	Ø 10	G 1/2	38	16	21	19	24	19	17
2121912120	Ø 12	G 1/2	39.5	16	22.5	19	24	23	21