

QR1-S standard series

- Long elbow fitting
- External thread
- M5 G 1/8 G 1/4 G 3/8 G 1/2
- push-in fitting
- Ø 4 Ø 6 Ø 8 Ø 10 Ø 12
- QR1-S-RVL



Working pressure min./max.

-0,95 ... 10 bar

Ambient temperature min./max.

0 ... 60 °C

Weight

See table below

Technical data

Part No.	Port G	Port D	Delivery unit	Weight
2122104050	M5	Ø 4	10 piece	0,011 kg
R412005099	M5	Ø 6	10 piece	0,012 kg
2122104180	G 1/8	Ø 4	10 piece	0,027 kg
2122106180	G 1/8	Ø 6	10 piece	0,031 kg
2122108180	G 1/8	Ø 8	10 piece	0,034 kg
2122104140	G 1/4	Ø 4	10 piece	0,037 kg
2122106140	G 1/4	Ø 6	10 piece	0,044 kg
2122108140	G 1/4	Ø 8	10 piece	0,051 kg
2122110140	G 1/4	Ø 10	10 piece	0,078 kg
R412005103	G 1/4	Ø 12	10 piece	0,099 kg
2122108380	G 3/8	Ø 8	10 piece	0,068 kg
2122110380	G 3/8	Ø 10	10 piece	0,088 kg
R412005104	G 3/8	Ø 12	10 piece	0,101 kg
R412005105	G 1/2	Ø 12	10 piece	0,106 kg

Weight per piece

Technical information

The series QR1 (plastic) and QR2 (metal) can not be combined
Thread seal with captive O-ring

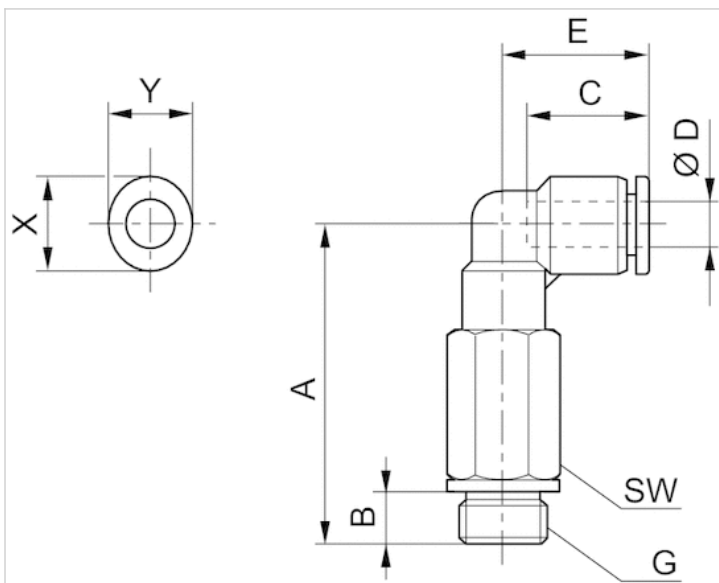
For further information about assembling and tolerances of adaptable tubing can be found in the "Technical information" document (available in the MediaCentre).

Technical information

Material	
Material	nickel-plated
Housing	Polybutyleneterephthalate
Seal	Acrylonitrile butadiene rubber
Tooth lock washer	Stainless steel
Release ring	Polyoxymethylene
Release ring holder	Die cast zinc Brass, nickel-plated
Thread	Brass, nickel-plated

Dimensions

Dimensions



Dimensions

Part No.	Port D	Port G	A	B	C	E	SW	X	Y
2122104050	Ø 4	M5	30.2	4	16	18.3	8	12	10
R412005099	Ø 6	M5	31.4	4	17	19.5	8	14	12
2122104180	Ø 4	G 1/8	29.5	5	16	18.3	13	12	10
2122106180	Ø 6	G 1/8	30.7	5	17	19.5	13	14	12
2122108180	Ø 8	G 1/8	37	5	18.5	22.7	13	16	14
2122104140	Ø 4	G 1/4	31.5	6	16	18.3	16	12	10
2122106140	Ø 6	G 1/4	31.7	6	17	19.5	16	14	12
2122108140	Ø 8	G 1/4	35	6	18.5	22.7	16	16	14
2122110140	Ø 10	G 1/4	54.6	6	21	26.5	16	19	17
R412005103	Ø 12	G 1/4	47.3	6	22.5	28.3	16	23	21
2122108380	Ø 8	G 3/8	36	7	18.5	22.7	20	16	14
2122110380	Ø 10	G 3/8	43.6	7	21	26.5	20	19	17
R412005104	Ø 12	G 3/8	45.3	7	22.5	28.3	20	23	21

UK Office
5 Caulside Drive
Antrim
BT41 2DU
United Kingdom
+44 (0) 28 9448 1808

European Office
Unit 6, Saint Anthony's Business Park
Dublin
D22 VW95
Ireland
+353 (0) 1 4373653



Part No.	Port D	Port G	A	B	C	E	SW	X	Y
R412005105	Ø 12	G 1/2	47.3	8.5	22.5	28.3	24	23	21