

QR1-S standard series

- Swivel banjo connection 2-fold
- External thread
- G 1/8 G 1/4 G 3/8 G 1/2
- push-in fitting
- Ø 4 Ø 6 Ø 8 Ø 10 Ø 12
- QR1-S-RW2



Working pressure min./max.

-0,95 ... 10 bar

Ambient temperature min./max.

0 ... 60 °C

Weight

See table below

Technical data

Part No.	Port G	Port D	Delivery unit	Weight
R412005141	G 1/8	Ø 4	10 piece	0,028 kg
R412005144	G 1/8	Ø 6	10 piece	0,03 kg
R412005147	G 1/8	Ø 8	10 piece	0,044 kg
R412005145	G 1/4	Ø 6	10 piece	0,033 kg
R412005148	G 1/4	Ø 8	10 piece	0,048 kg
R412005149	G 3/8	Ø 8	10 piece	0,052 kg
R412005152	G 3/8	Ø 10	5 piece	0,091 kg
R412005155	G 1/2	Ø 12	5 piece	0,159 kg

Weight per piece

Technical information

The series QR1 (plastic) and QR2 (metal) can not be combined
Thread seal with captive O-ring

For further information about assembling and tolerances of adaptable tubing can be found in the "Technical information" document (available in the MediaCentre).

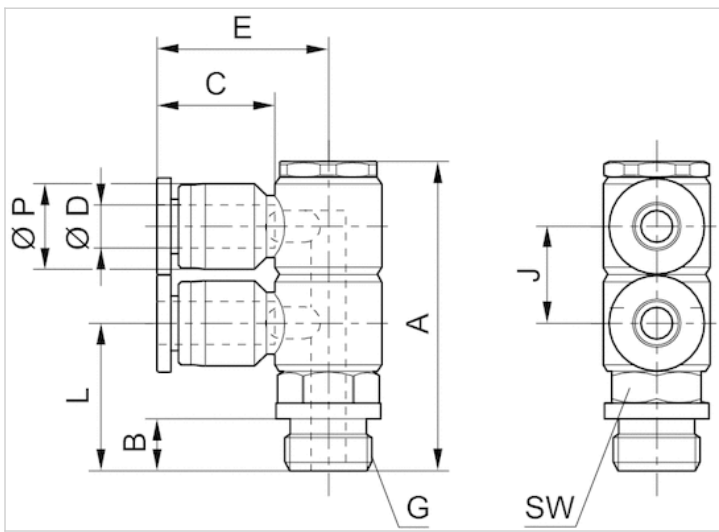
Technical information

Material	
Material	nickel-plated
Housing	Polybutyleneterephthalate

Material	
Seal	Acrylonitrile butadiene rubber
Tooth lock washer	Stainless steel
Release ring	Polyoxymethylene
Release ring holder	Die cast zinc Brass, nickel-plated
Thread	Brass, nickel-plated

Dimensions

Dimensions



Dimensions

Part No.	Port D	Port G	A	B	C	E	J	L	SW	Ø P
R412005141	Ø 4	G 1/8	43.2	5	16	22.3	14	13	14	10.4
R412005144	Ø 6	G 1/8	43.2	5	17	26.5	14	13	14	12.4
R412005147	Ø 8	G 1/8	43.2	5	18.5	29.1	15	16	17	14.4
R412005145	Ø 6	G 1/4	43.2	6	17	26.5	14	15	17	12.4
R412005148	Ø 8	G 1/4	45.2	6	18.5	29.1	15	15	17	14.4
R412005149	Ø 8	G 3/8	46.2	7	18.5	29.1	15	18	21	14.4
R412005152	Ø 10	G 3/8	54.6	7	21	34.3	18	18	21	17.6
R412005155	Ø 12	G 1/2	66.3	8.5	22.5	38.3	21.8	23.5	27	21.2