

# QR1-S standard series

- Bulkhead push-in fitting, metal
- push-in fitting
- Ø 4 Ø 6 Ø 8 Ø 10 Ø 12
- push-in fitting
- Ø 4 Ø 6 Ø 8 Ø 10 Ø 12
- QR1-S-RSM



Working pressure min./max.	-0,95 ... 10 bar
Ambient temperature min./max.	0 ... 60 °C
Weight	See table below

## Technical data

Part No.	Port G	Port D	Delivery unit	Weight
2121404000	Ø 4	Ø 4	10 piece	0,018 kg
2121406000	Ø 6	Ø 6	10 piece	0,025 kg
2121408000	Ø 8	Ø 8	10 piece	0,034 kg
2121410000	Ø 10	Ø 10	10 piece	0,059 kg
2121412000	Ø 12	Ø 12	10 piece	0,078 kg

Weight per piece

## Technical information

The series QR1 (plastic) and QR2 (metal) can not be combined

For further information about assembling and tolerances of adaptable tubing can be found in the "Technical information" document (available in the MediaCentre).

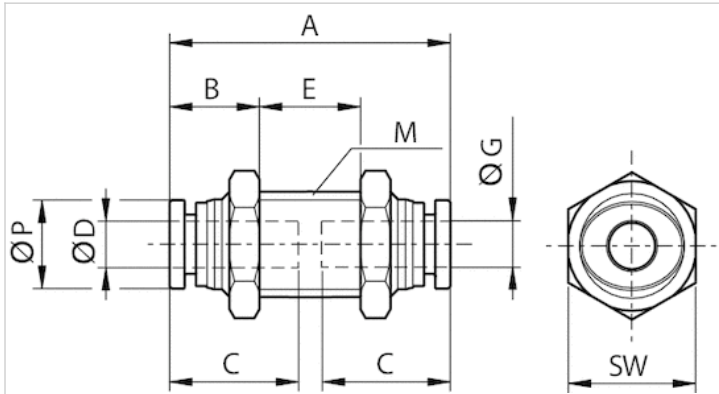
## Technical information

Material	
Material	nickel-plated
Housing	Brass, nickel-plated
Seal	Acrylonitrile butadiene rubber
Tooth lock washer	Stainless steel
Release ring	Polyoxymethylene

Material	
Release ring holder	Die cast zinc Brass, nickel-plated
Thread	Brass, nickel-plated

## Dimensions

### Dimensions



### Dimensions

Part No.	Port D	Port G	M	A	B	C	E1)	Ø P	SW
2121404000	Ø 4	Ø 4	M12x1,0	33.4	10.2	16	13	10	14
2121406000	Ø 6	Ø 6	M14x1,0	35.9	10.7	17	14.5	12	17
2121408000	Ø 8	Ø 8	M16x1,0	38.5	12.3	18.5	13.9	14	19
2121410000	Ø 10	Ø 10	M20x1,0	43.5	13	21	17.5	17	24
2121412000	Ø 12	Ø 12	M22x1,0	46.2	12.6	22	21	20	26

1) Max.