

QR1-S standard series

- T-plug connector, reducing
- push-in fitting
- Ø 6 Ø 8 Ø 10 Ø 12
- push-in fitting
- Ø 4 Ø 6 Ø 8 Ø 10
- QR1-S-RTR



Working pressure min./max.

-0,95 ... 10 bar

Ambient temperature min./max.

0 ... 60 °C

Weight

See table below

Technical data

Part No.	Port G	Port D	Delivery unit	Weight
R412005026	Ø 6	Ø 4	10 piece	0,009 kg
R412005027	Ø 8	Ø 4	10 piece	0,015 kg
R412005028	Ø 8	Ø 6	10 piece	0,012 kg
R412005029	Ø 10	Ø 6	10 piece	0,024 kg
R412005030	Ø 10	Ø 8	10 piece	0,02 kg
R412005031	Ø 12	Ø 8	10 piece	0,034 kg
R412005032	Ø 12	Ø 10	10 piece	0,028 kg

Weight per piece

Technical information

The series QR1 (plastic) and QR2 (metal) can not be combined

For further information about assembling and tolerances of adaptable tubing can be found in the "Technical information" document (available in the MediaCentre).

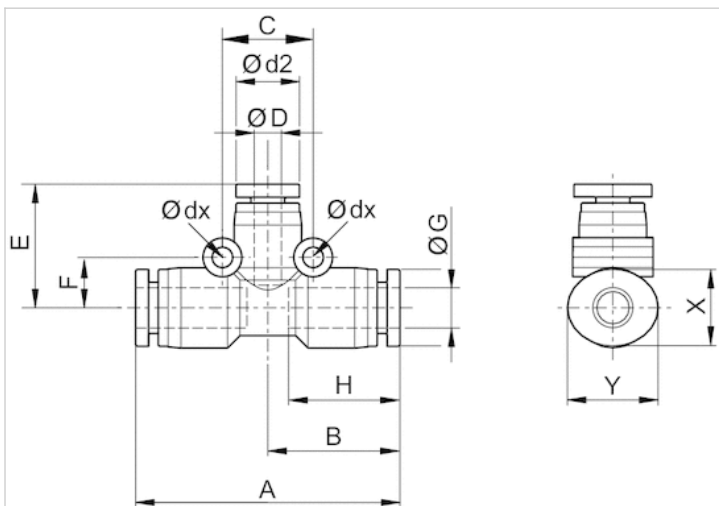
Technical information

Material	
Material	nickel-plated
Housing	Polybutyleneterephthalate
Seal	Acrylonitrile butadiene rubber

Material	
Tooth lock washer	Stainless steel
Release ring	Polyoxymethylene
Release ring holder	Die cast zinc Brass, nickel-plated

Dimensions

Dimensions



Dimensions

Part No.	Port D	Port G	Ø dx	d2	A	B	C	E	F	H	X	Y
R412005026	Ø 4	Ø 6	3.2	10.4	40.8	20.4	14	19.1	7.8	17	14	12
R412005027	Ø 4	Ø 8	4.2	12.4	45.4	22.7	16.4	21	8.6	18.5	16	12
R412005028	Ø 6	Ø 8	4.2	12.4	45.4	22.7	16.4	21.7	8.6	18.5	16	14
R412005029	Ø 6	Ø 10	4.2	14.4	52.2	26.1	18.8	23.7	10.8	21	19	14
R412005030	Ø 8	Ø 10	4.2	14.4	52.2	26.1	18.8	23.4	10.8	21	19	17
R412005031	Ø 8	Ø 12	4.2	17.4	58.6	29.3	23	26	13	22.5	23	17
R412005032	Ø 10	Ø 12	4.2	17.4	58.6	29.3	23	27.1	13	22.5	23	21