

QR1-S standard series

- X-Plug connection
- push-in fitting
- Ø 4 Ø 6 Ø 8 Ø 10
- push-in fitting
- Ø 4 Ø 6 Ø 8 Ø 10
- QR1-S-RXS



Working pressure min./max.	-0,95 ... 10 bar
Ambient temperature min./max.	0 ... 60 °C
Weight	See table below

Technical data

Part No.	Port G	Port D	Delivery unit	Weight
R412005361	Ø 4	Ø 4	10 piece	0,009 kg
R412005362	Ø 6	Ø 6	10 piece	0,012 kg
R412005363	Ø 8	Ø 8	10 piece	0,016 kg
R412005364	Ø 10	Ø 10	10 piece	0,029 kg

Weight per piece

Technical information

The series QR1 (plastic) and QR2 (metal) can not be combined

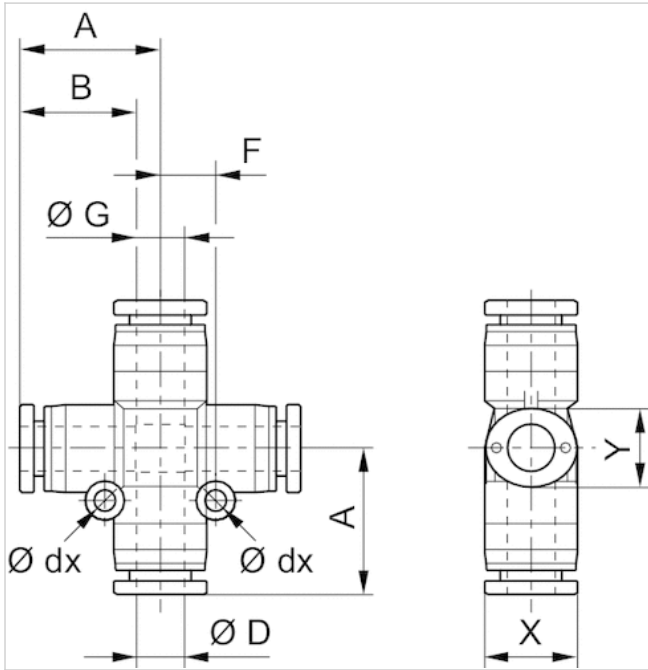
For further information about assembling and tolerances of adaptable tubing can be found in the "Technical information" document (available in the MediaCentre).

Technical information

Material	
Material	nickel-plated
Housing	Polybutyleneterephthalate
Seal	Acrylonitrile butadiene rubber
Tooth lock washer	Stainless steel
Release ring	Polyoxymethylene
Release ring holder	Die cast zinc Brass, nickel-plated

Dimensions

Dimensions



Dimensions

Part No.	Port D	Port G	Ø dx	A	B	F	X	Y
R412005361	Ø 4	Ø 4	2.2	18.7	16	6	12	10
R412005362	Ø 6	Ø 6	3.2	20.4	17	8	14	12
R412005363	Ø 8	Ø 8	4.2	22.8	18.5	9	16	14
R412005364	Ø 10	Ø 10	4.2	26.1	21	12	19	17