

QR1-S standard series

- Straight push-in fitting, reducing
- push-in fitting
- Ø 4 Ø 6 Ø 8 Ø 10 Ø 12
- pin bushing
- Ø 6 Ø 8 Ø 10 Ø 12 Ø 14
- QR1-S-RED



Working pressure min./max.

-0,95 ... 10 bar

Ambient temperature min./max.

0 ... 60 °C

Weight

See table below

Technical data

Part No.	Port G	Port D	Delivery unit	Weight
2121706040	Ø 4	Ø 6	10 piece	0,003 kg
2121708040	Ø 4	Ø 8	10 piece	0,004 kg
2121708060	Ø 6	Ø 8	10 piece	0,004 kg
2121710040	Ø 4	Ø 10	10 piece	0,004 kg
2121710060	Ø 6	Ø 10	10 piece	0,005 kg
2121710080	Ø 8	Ø 10	10 piece	0,006 kg
2121712060	Ø 6	Ø 12	10 piece	0,006 kg
2121712080	Ø 8	Ø 12	10 piece	0,007 kg
2121712100	Ø 10	Ø 12	10 piece	0,01 kg
2121714080	Ø 8	Ø 14	10 piece	0,008 kg
2121714100	Ø 10	Ø 14	10 piece	0,013 kg
2121714120	Ø 12	Ø 14	10 piece	0,015 kg

Weight per piece

Technical information

The series QR1 (plastic) and QR2 (metal) can not be combined

For further information about assembling and tolerances of adaptable tubing can be found in the "Technical information" document (available in the MediaCentre).

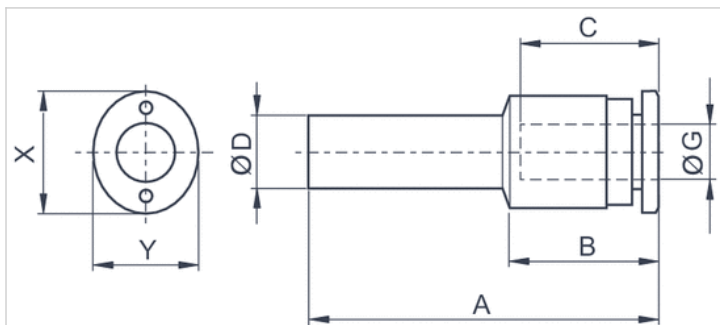
Technical information

Material

Material	nickel-plated
Housing	Polybutyleneterephthalate
Seal	Acrylonitrile butadiene rubber
Tooth lock washer	Stainless steel
Release ring	Polyoxymethylene
Release ring holder	Die cast zinc Brass, nickel-plated

Dimensions

Dimensions



Dimensions

Part No.	Port D	Port G	A	B	C*	X	Y
2121706040	Ø 6	Ø 4	40.6	18.2	16	12	10
2121708040	Ø 8	Ø 4	42.6	18.2	16	12	10
2121708060	Ø 8	Ø 6	43.3	19.2	17	14	12
2121710040	Ø 10	Ø 4	41.3	17.6	16	12	10
2121710060	Ø 10	Ø 6	45.3	19.2	17	14	12
2121710080	Ø 10	Ø 8	47.4	20.5	18.5	16	14
2121712060	Ø 12	Ø 6	48.2	19.2	17	14	12
2121712080	Ø 12	Ø 8	49.4	20.5	18.5	16	14
2121712100	Ø 12	Ø 10	52	23	21	19	17
2121714080	Ø 14	Ø 8	55.4	20.4	18.5	16	14
2121714100	Ø 14	Ø 10	58	23	21	19	17
2121714120	Ø 14	Ø 12	60.3	25.3	22.5	23	21

*