

# QR1-S standard series

- Angled plug-in connector
- Pin bushing, long
- Ø 4 Ø 6 Ø 8 Ø 10 Ø 12
- push-in fitting
- Ø 4 Ø 6 Ø 8 Ø 10 Ø 12
- QR1-S-RLL



Working pressure min./max.

-0,95 ... 10 bar

Ambient temperature min./max.

0 ... 60 °C

Weight

See table below

## Technical data

Part No.	Port G	Port D	Delivery unit	Weight
R412005039	Ø 4	Ø 4	10 piece	0,004 kg
R412005040	Ø 6	Ø 6	10 piece	0,006 kg
R412005041	Ø 8	Ø 8	10 piece	0,008 kg
R412005042	Ø 10	Ø 10	10 piece	0,014 kg
R412005043	Ø 12	Ø 12	10 piece	0,019 kg

Weight per piece

## Technical information

The series QR1 (plastic) and QR2 (metal) can not be combined

For further information about assembling and tolerances of adaptable tubing can be found in the "Technical information" document (available in the MediaCentre).

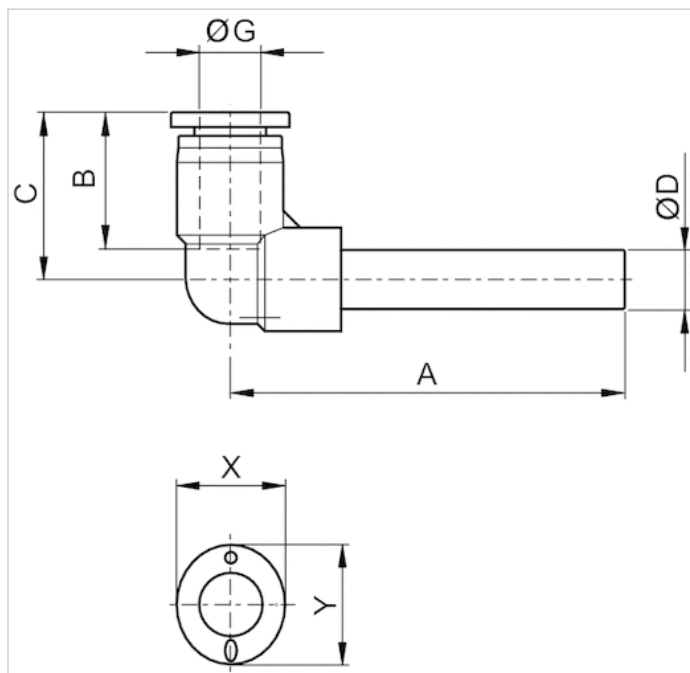
## Technical information

Material	
Material	nickel-plated
Housing	Polybutyleneterephthalate
Seal	Acrylonitrile butadiene rubber
Tooth lock washer	Stainless steel
Release ring	Polyoxymethylene

Material	
Release ring holder	Die cast zinc Brass, nickel-plated

## Dimensions

### Dimensions



### Dimensions

Part No.	Port D	Port G	A	B	C	X	Y
R412005039	Ø 4	Ø 4	43.6	16	18.7	12	10
R412005040	Ø 6	Ø 6	47.5	17	21.1	14	12
R412005041	Ø 8	Ø 8	54.5	18.5	22.8	16	14
R412005042	Ø 10	Ø 10	62	21	26.1	19	17
R412005043	Ø 12	Ø 12	69.9	22.5	29.3	23	21