

# QR1-S standard series

- Y-Push-in fitting, reducing
- push-in fitting
- Ø 4 Ø 6 Ø 8 Ø 10
- pin bushing
- Ø 6 Ø 8 Ø 10 Ø 12
- QR1-S-R2R



Working pressure min./max.

-0,95 ... 10 bar

Ambient temperature min./max.

0 ... 60 °C

Weight

See table below

## Technical data

Part No.	Port G	Port D	Delivery unit	Weight
R412005337	Ø 4	Ø 6	10 piece	0,007 kg
R412005338	Ø 6	Ø 8	10 piece	0,009 kg
R412005339	Ø 8	Ø 10	10 piece	0,013 kg
R412005340	Ø 10	Ø 12	10 piece	0,024 kg

Weight per piece

## Technical information

The series QR1 (plastic) and QR2 (metal) can not be combined

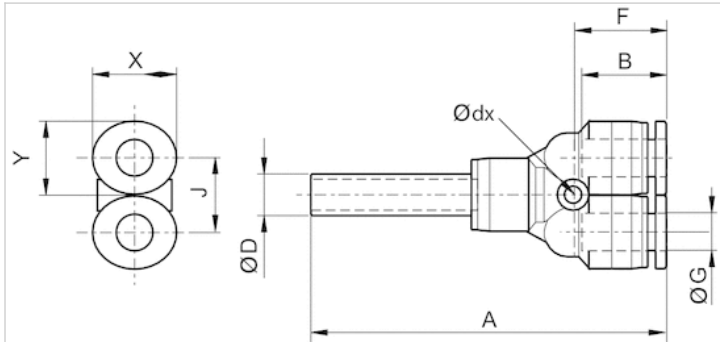
For further information about assembling and tolerances of adaptable tubing can be found in the "Technical information" document (available in the MediaCentre).

## Technical information

Material	
Material	nickel-plated
Housing	Polybutyleneterephthalate
Seal	Acrylonitrile butadiene rubber
Tooth lock washer	Stainless steel
Release ring	Polyoxymethylene
Release ring holder	Die cast zinc Brass, nickel-plated

## Dimensions

### Dimensions



## Dimensions

Part No.	Port D	Port G	Ø dx	A	B	J	F	X	Y
R412005337	Ø 6	Ø 4	2.2	55.2	17	9.6	14	12	10
R412005338	Ø 8	Ø 6	3.2	58.7	18.5	12	16.9	14	12
R412005339	Ø 10	Ø 8	3.2	64.7	21	14	17.2	16	14
R412005340	Ø 12	Ø 10	4.2	75.2	22.5	18	21.6	19	17