

# QR1-S standard series

- Sealing cap
- push-in fitting
- Ø 4 Ø 6 Ø 8 Ø 10 Ø 12
- QR1-S-RCA



Working pressure min./max.	-0,95 ... 10 bar
Ambient temperature min./max.	0 ... 60 °C
Weight	See table below

## Technical data

Part No.	Port G	Delivery unit	Weight
R412005111	Ø 4	20 piece	0,002 kg
R412005112	Ø 6	20 piece	0,003 kg
R412005113	Ø 8	20 piece	0,004 kg
R412005114	Ø 10	20 piece	0,007 kg
R412005115	Ø 12	20 piece	0,01 kg

## Technical information

The series QR1 (plastic) and QR2 (metal) can not be combined

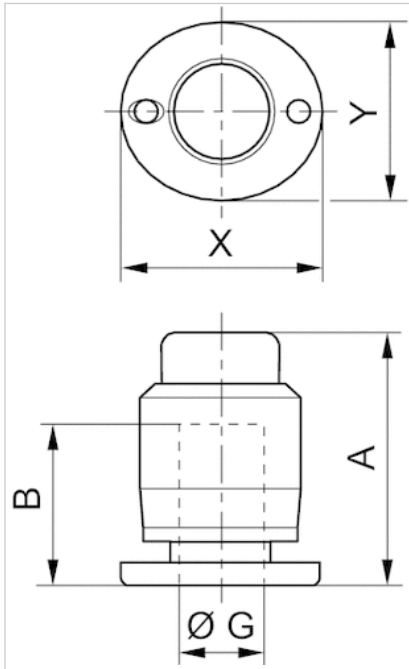
For further information about assembling and tolerances of adaptable tubing can be found in the "Technical information" document (available in the MediaCentre).

## Technical information

Material	
Material	nickel-plated
Housing	Polybutyleneterephthalate
Seal	Acrylonitrile butadiene rubber
Tooth lock washer	Stainless steel
Release ring	Polyoxymethylene
Release ring holder	Die cast zinc Brass, nickel-plated

## Dimensions

### Dimensions



## Dimensions

Part No.	Port G	A	B	X	Y
R412005111	Ø 4	17.7	16	12	10
R412005112	Ø 6	18.7	17	14	12
R412005113	Ø 8	20.5	18.5	16	14
R412005114	Ø 10	23.5	21	19	17
R412005115	Ø 12	25.5	22.5	23	21