

QR1-S standard series

- 1x banjo bolt
- External thread
- G 1/8 G 1/4
- Uncollected
- QR1-S-RH1



Working pressure min./max.	-0,95 ... 10 bar
Ambient temperature min./max.	0 ... 60 °C
Weight	See table below

Technical data

Part No.	Port G	Delivery unit	Weight
R412005313	G 1/8	10 piece	0,016 kg
R412005314	G 1/4	10 piece	0,027 kg

Weight per piece, Incl. 2 O-rings per banjo bolt in scope of delivery

Technical information

The series QR1 (plastic) and QR2 (metal) can not be combined

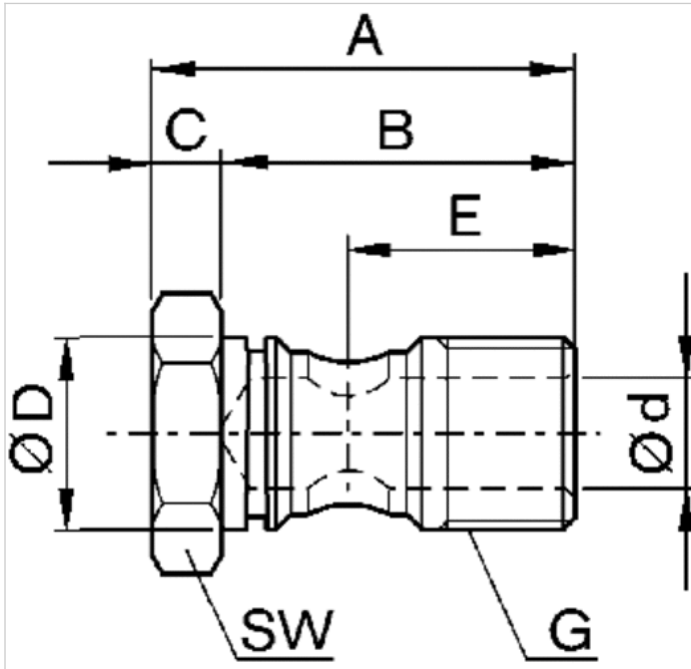
For further information about assembling and tolerances of adaptable tubing can be found in the "Technical information" document (available in the MediaCentre).

Technical information

Material	
Material	nickel-plated
Housing	Brass, nickel-plated
Seal	Acrylonitrile butadiene rubber
Thread	Brass, nickel-plated

Dimensions

Dimensions



Dimensions

Part No.	Port G	Ø D	A	B	C	Ø d	E	SW
R412005313	G 1/8	9.7	25.5	21.5	4	5	13	14
R412005314	G 1/4	13.1	30	25	5	7	15.5	17