

QR1-S standard series

- Swivel banjo connection 2-fold, with internal thread
- External thread
- M5 R 1/8 R 1/4 R 3/8
- push-in fitting
- Ø 4 Ø 6 Ø 8 Ø 10
- Internal thread
- M5 G 1/8 G 1/4 G 3/8
- QR1-S-RID



Working pressure min./max.	-0,95 ... 10 bar
Ambient temperature min./max.	0 ... 60 °C
Weight	See table below

Technical data

Part No.	Port G	Port D	Delivery unit	Weight
R412005259	M5	Ø 4	10 piece	0,009 kg
R412005260	R 1/8	Ø 6	10 piece	0,028 kg
R412005261	R 1/4	Ø 8	10 piece	0,047 kg
R412005262	R 3/8	Ø 10	5 piece	0,081 kg

Weight per piece

Technical information

The series QR1 (plastic) and QR2 (metal) can not be combined
Thread seal with captive O-ring

For further information about assembling and tolerances of adaptable tubing can be found in the "Technical information" document (available in the MediaCentre).

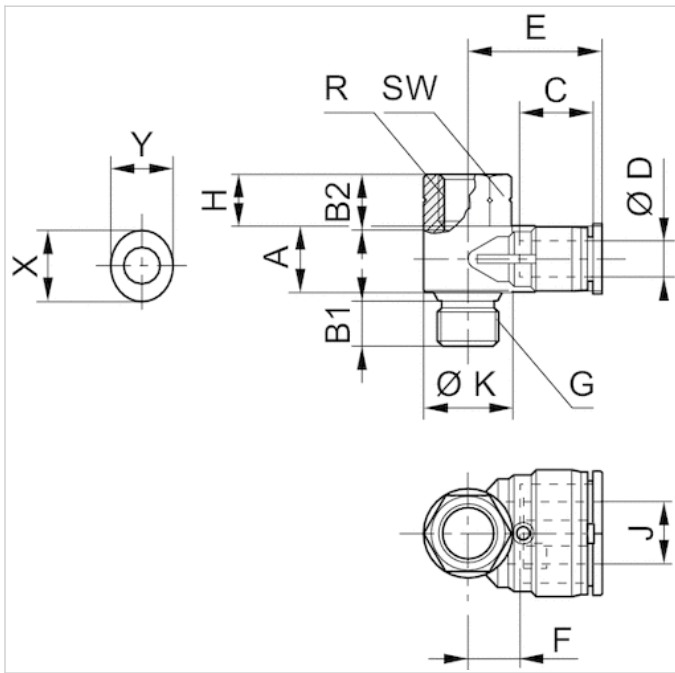
Technical information

Material	
Material	nickel-plated
Housing	Polybutyleneterephthalate
Seal	Acrylonitrile butadiene rubber
Tooth lock washer	Stainless steel

Material	
Release ring	Polyoxymethylene
Release ring holder	Die cast zinc Brass, nickel-plated
Thread	Brass, nickel-plated

Dimensions

Dimensions



Dimensions

Part No.	Port R	Port D	Port G	A	B1	B2	C	E	H	J	Ø K	SW	X	Y
R412005259	M5	Ø 4	M5	8.9	5.5	5	16	20.9	6.5	10	10	8	12	10
R412005260	G 1/8	Ø 6	R 1/8	14	8	9	17	26.7	9.5	12	15.5	14	14	12
R412005261	G 1/4	Ø 8	R 1/4	15	11	12	18.5	30.2	11.5	14	20	17	16	14
R412005262	G 3/8	Ø 10	R 3/8	18	12	13	21	34.3	13.5	17	23	22	19	17