

Series QR1-S Mini

- Long elbow fitting
- External thread
- M3
- push-in fitting
- Ø 3
- QR1-S-MVL



Working pressure min./max.	-0,95 ... 10 bar
Ambient temperature min./max.	0 ... 60 °C
Weight	See table

Technical data

Part No.	Port G	Port D	Delivery unit	Weight	
R412005381	M3	Ø 3	25 piece	0,003 kg	-
R412005382	M3	Ø 4	25 piece	0,007 kg	-
R412005384	M5	Ø 4	25 piece	0,008 kg	1)
R412005385	M5	Ø 6	25 piece	0,008 kg	1)
R412005390	G 1/8	Ø 4	25 piece	0,013 kg	1)
R412005391	G 1/8	Ø 6	25 piece	0,014 kg	1)

Technical information

The series QR1 (plastic) and QR2 (metal) can not be combined
Thread seal with captive O-ring

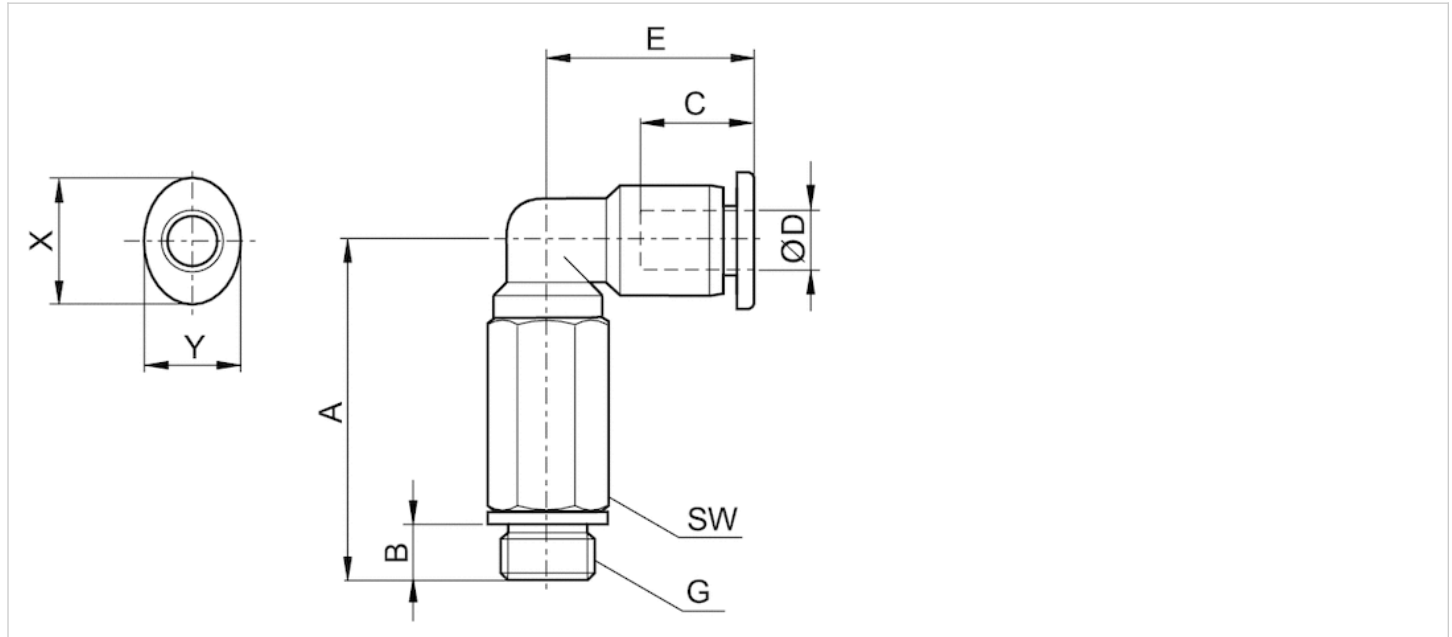
For further information about assembling and tolerances of adaptable tubing can be found in the "Technical information" document (available in the MediaCentre).

Technical information

Material	
Material	nickel-plated
Housing	Polybutyleneterephthalate
Seal	Acrylonitrile butadiene rubber
Tooth lock washer	Stainless steel
Release ring	Polyoxymethylene

Material	
Release ring holder	Die cast zinc Brass, nickel-plated
Thread	Brass, nickel-plated

Dimensions



Dimensions

Part No.	Port D	Port G	A	B	C	E	SW	X	Y
R412005381	Ø 3	M3	19.4	3	9.5	11.2	6	7	6
R412005382	Ø 4	M3	23	3	11.5	15.6	8	10	8
R412005384	Ø 4	M5	26	4	11.5	15.6	8	10	8
R412005385	Ø 6	M5	26	4	12.5	16.9	8	12	10
R412005390	Ø 4	G 1/8	25.1	5	11.5	15.6	10	10	8
R412005391	Ø 6	G 1/8	26.4	5	12.5	16.9	10	12	10