

Series QR1-S Mini

- T-union
- External thread
- M5
- push-in fitting
- Ø 4
- QR1-S-MTT



Working pressure min./max.	-0,95 ... 10 bar
Ambient temperature min./max.	0 ... 60 °C
Weight	See table

Technical data

Part No.	Port G	Port D	Delivery unit	Weight
R412005395	M5	Ø 4	25 piece	0,004 kg
R412005396	M5	Ø 6	25 piece	0,005 kg
R412005400	G 1/8	Ø 4	25 piece	0,007 kg
R412005401	G 1/8	Ø 6	25 piece	0,008 kg

Technical information

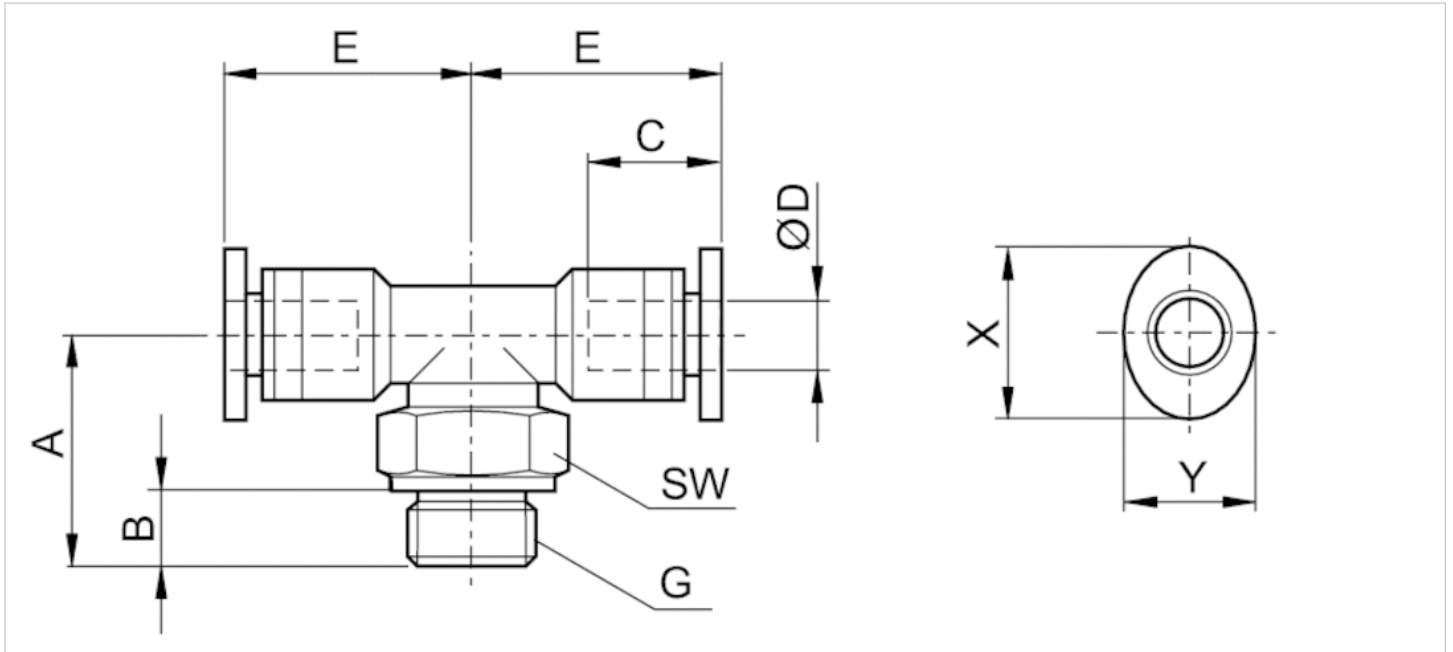
The series QR1 (plastic) and QR2 (metal) can not be combined
Thread seal with captive O-ring

For further information about assembling and tolerances of adaptable tubing can be found in the "Technical information" document (available in the MediaCentre).

Technical information

Material	
Material	nickel-plated
Housing	Polybutyleneterephthalate
Seal	Acrylonitrile butadiene rubber
Tooth lock washer	Stainless steel
Release ring	Polyoxymethylene
Release ring holder	Die cast zinc Brass, nickel-plated
Thread	Brass, nickel-plated

Dimensions



Dimensions

Part No.	Port D	Port G	A	B	C	E	SW	X	Y
R412005395	Ø 4	M5	15	4	11.5	13.1	8	10	8
R412005396	Ø 6	M5	16	4	12.5	14.4	8	12	10
R412005400	Ø 4	G 1/8	13.4	5	11.5	13.1	12	10	8
R412005401	Ø 6	G 1/8	14.4	5	12.5	14.4	10	12	10