

Series QR1-S Mini

- Bulkhead push-in fitting, metal
- push-in fitting
- Ø 4
- push-in fitting
- Ø 4
- QR1-S-MSM



Working pressure min./max.	-0,95 ... 10 bar
Ambient temperature min./max.	0 ... 60 °C
Weight	See table

Technical data

Part No.	Port G	Port D	Delivery unit	Weight
R412005418	Ø 4	Ø 4	25 piece	0,008 kg
R412005419	Ø 6	Ø 6	25 piece	0,013 kg

Technical information

The series QR1 (plastic) and QR2 (metal) can not be combined

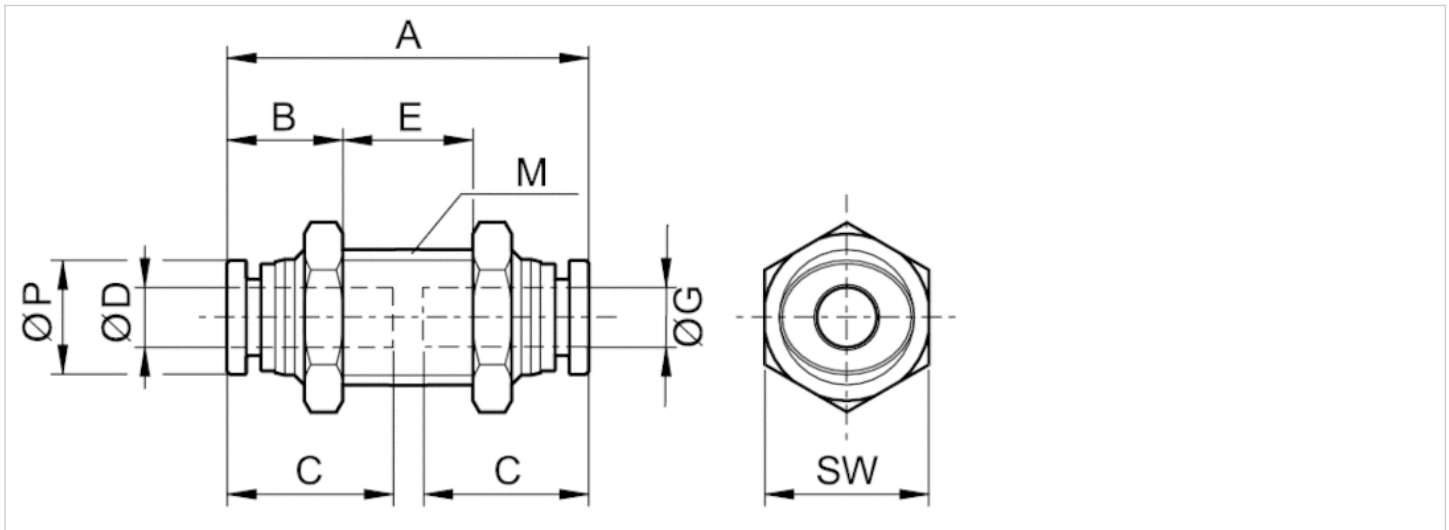
For further information about assembling and tolerances of adaptable tubing can be found in the "Technical information" document (available in the MediaCentre).

Technical information

Material	
Material	nickel-plated
Housing	Brass, nickel-plated
Seal	Acrylonitrile butadiene rubber
Tooth lock washer	Stainless steel
Release ring	Polyoxymethylene
Release ring holder	Die cast zinc Brass, nickel-plated

Dimensions

Dimensions



Dimensions

Part No.	Port D	Port G	M	A	B	C	E	SW	Ø P
R412005418	Ø 4	Ø 4	M10x1,0	24	9	11.5	7.5	12	8
R412005419	Ø 6	Ø 6	M12x1,0	25.9	10.5	12.5	6	14	10.5