

# Series QR1-S Mini

- T-plug connector
- push-in fitting
- Ø 3
- push-in fitting
- Ø 3
- QR1-S-MTK



Working pressure min./max.	-0,95 ... 10 bar
Ambient temperature min./max.	0 ... 60 °C
Weight	See table

## Technical data

Part No.	Port G	Port D	Delivery unit	Weight
R412005426	Ø 3	Ø 3	25 piece	0,002 kg
R412005427	Ø 4	Ø 4	25 piece	0,003 kg
R412005428	Ø 6	Ø 6	25 piece	0,005 kg

## Technical information

The series QR1 (plastic) and QR2 (metal) can not be combined

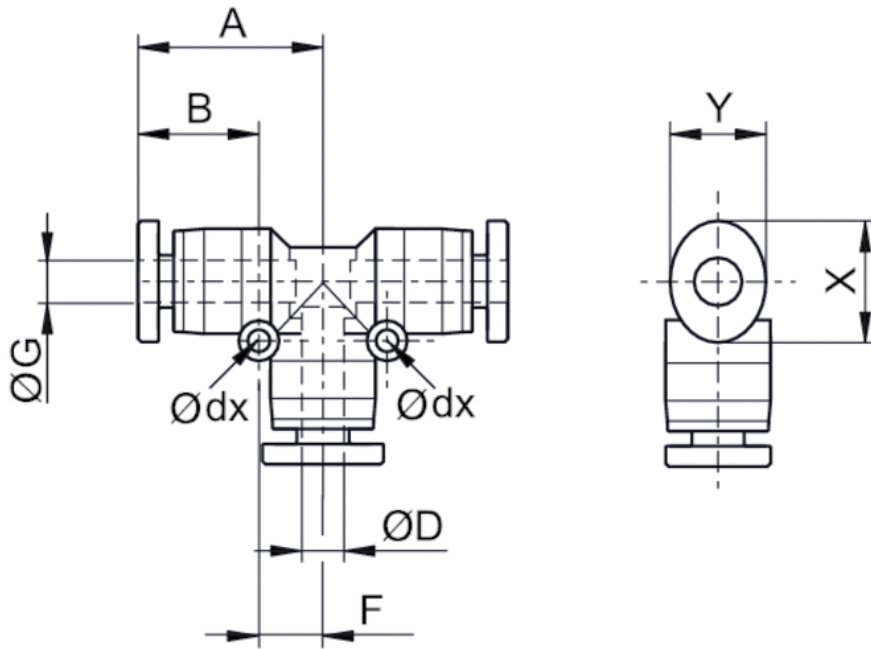
For further information about assembling and tolerances of adaptable tubing can be found in the "Technical information" document (available in the MediaCentre).

## Technical information

Material	
Material	nickel-plated
Housing	Polybutyleneterephthalate
Seal	Acrylonitrile butadiene rubber
Tooth lock washer	Stainless steel
Release ring	Polyoxymethylene
Release ring holder	Die cast zinc Brass, nickel-plated
Thread	Brass, nickel-plated

## Dimensions

### Dimensions



## Dimensions

Part No.	Port D	Port G	Ø dx	A	B	F	X	Y
R412005426	Ø 3	Ø 3	3.2	11.4	9.5	4.5	7	6
R412005427	Ø 4	Ø 4	3.2	13.9	11.5	5.8	10	8
R412005428	Ø 6	Ø 6	3.2	15.4	12.5	6.5	12	10