

# QR1-S standard series

- Straight female stud fitting
- Internal thread
- 3/8 NPT 1/8 NPT 1/4 NPT 1/2 NPT
- push-in fitting
- Ø1/4 Ø5/16 Ø3/8 Ø1/2 Ø5/32
- QR1-S-RAI



Working pressure min./max.

-0,95 ... 10 bar

Ambient temperature min./max.

0 ... 60 °C

Weight

See table below

## Technical data

Part No.	Port G	Port D	Delivery unit	Weight
R432000021	3/8 NPT	Ø1/4	10 piece	0,03 kg
R432000028	3/8 NPT	Ø5/16	10 piece	0,041 kg
R432000024	3/8 NPT	Ø3/8	10 piece	0,05 kg
R432000018	3/8 NPT	Ø1/2	10 piece	0,059 kg
R432000030	1/8 NPT	Ø5/32	10 piece	0,014 kg
R432000020	1/8 NPT	Ø1/4	10 piece	0,014 kg
R432000027	1/8 NPT	Ø5/16	10 piece	0,018 kg
R432000029	1/4 NPT	Ø5/32	10 piece	0,023 kg
R432000019	1/4 NPT	Ø1/4	10 piece	0,023 kg
R432000026	1/4 NPT	Ø5/16	10 piece	0,027 kg
R432000023	1/4 NPT	Ø3/8	10 piece	0,032 kg
R432000017	1/4 NPT	Ø1/2	10 piece	0,05 kg
R432000025	1/2 NPT	Ø5/16	10 piece	0,05 kg
R432000022	1/2 NPT	Ø3/8	10 piece	0,05 kg
R432000016	1/2 NPT	Ø1/2	10 piece	0,03 kg

Weight per piece

## Technical information

The series QR1 (plastic) and QR2 (metal) can not be combined

These pneumatic components with NPT or inch thread dimensions are only available from our US sales organization.

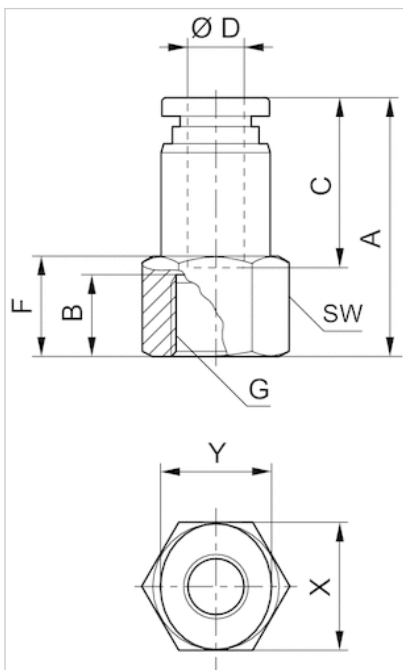
For further information about assembling and tolerances of adaptable tubing can be found in the "Technical information" document (available in the MediaCentre).

## Technical information

Material	
Material	nickel-plated
Housing	Brass, nickel-plated
Seal	Acrylonitrile butadiene rubber
Tooth lock washer	Stainless steel
Release ring	Polyoxymethylene
Release ring holder	Die cast zinc Brass, nickel-plated
Thread	Brass, nickel-plated

## Dimensions

### Dimensions in inches



### Dimensions in inches

Part No.	Port D	Port G	A	B	F	C	SW	X	Y
R432000021	Ø1/4	3/8 NPT	1.23	0.51	0.59	0.67	7/8 "	0.47	0.39
R432000028	Ø5/16	3/8 NPT	1.28	0.51	0.63	0.73	7/8 "	0.63	0.55
R432000024	Ø3/8	3/8 NPT	1.38	0.51	0.59	0.83	7/8 "	0.75	0.67
R432000018	Ø1/2	3/8 NPT	1.47	0.51	0.55	0.89	7/8 "	0.91	0.83
R432000030	Ø5/32	1/8 NPT	1.01	0.36	0.43	0.63	9/16 "	0.47	0.39
R432000020	Ø1/4	1/8 NPT	1.06	0.36	0.39	0.67	9/16 "	0.47	0.39
R432000027	Ø5/16	1/8 NPT	1.13	0.36	0.47	0.73	9/16 "	0.63	0.55
R432000029	Ø5/32	1/4 NPT	1.13	0.47	0.55	0.63	11/16 "	0.47	0.39
R432000019	Ø1/4	1/4 NPT	1.18	0.47	0.55	0.67	11/16 "	0.47	0.39
R432000026	Ø5/16	1/4 NPT	1.23	0.47	0.59	0.73	11/16 "	0.63	0.55
R432000023	Ø3/8	1/4 NPT	1.34	0.47	0.51	0.83	11/16 "	0.75	0.67

UK Office  
 5 Caulside Drive  
 Antrim  
 BT41 2DU  
 United Kingdom  
 +44 (0) 28 9448 1808

European Office  
 Unit 6, Saint Anthony's Business Park  
 Dublin  
 D22 VW95  
 Ireland  
 +353 (0) 1 4373653



Part No.	Port D	Port G	A	B	F	C	SW	X	Y
R432000017	Ø1/2	1/4 NPT	1.43	0.47	0.51	0.89	7/8 "	0.91	0.83
R432000025	Ø5/16	1/2 NPT	1.4	0.63	0.75	0.73	7/8 "	0.63	0.55
R432000022	Ø3/8	1/2 NPT	1.56	0.63	0.75	0.83	7/8 "	0.75	0.67
R432000016	Ø1/2	1/2 NPT	1.56	0.63	0.75	0.89	7/8 "	0.91	0.83