

# QR1-S standard series

- Elbow fitting 45°
- External thread
- 10-32 UNF 3/8 NPT 1/8 NPT 1/4 NPT 1/2 NPT
- push-in fitting
- Ø1/4 Ø5/32 Ø1/2 Ø3/8 Ø5/16
- QR1-S-RAT



Working pressure min./max.

-0,95 ... 10 bar

Ambient temperature min./max.

0 ... 60 °C

Weight

See table below

## Technical data

Part No.	Port G	Port D	Delivery unit	Weight
R432000286	10-32 UNF	Ø1/4	10 piece	0,05 kg
R432000298	10-32 UNF	Ø5/32	10 piece	0,03 kg
R432000285	3/8 NPT	Ø1/2	10 piece	0,032 kg
R432000289	3/8 NPT	Ø1/4	10 piece	0,032 kg
R432000293	3/8 NPT	Ø3/8	10 piece	0,032 kg
R432000297	3/8 NPT	Ø5/16	10 piece	0,05 kg
R432000284	1/8 NPT	Ø1/2	10 piece	0,018 kg
R432000296	1/8 NPT	Ø5/16	10 piece	0,009 kg
R432000300	1/8 NPT	Ø5/32	10 piece	0,009 kg
R432000288	1/8 NPT	Ø1/4	10 piece	0,009 kg
R432000292	1/8 NPT	Ø3/8	10 piece	0,014 kg
R432000283	1/4 NPT	Ø1/2	10 piece	0,023 kg
R432000291	1/4 NPT	Ø3/8	10 piece	0,023 kg
R432000287	1/4 NPT	Ø1/4	10 piece	0,041 kg
R432000295	1/4 NPT	Ø5/16	10 piece	0,018 kg
R432000299	1/4 NPT	Ø5/32	10 piece	0,032 kg
R432000294	1/2 NPT	Ø5/16	10 piece	0,041 kg
R432000282	1/2 NPT	Ø1/2	10 piece	0,05 kg
R432000290	1/2 NPT	Ø3/8	10 piece	0,05 kg

Weight per piece

## Technical information

The series QR1 (plastic) and QR2 (metal) can not be combined

Thread seal with captive O-ring

These pneumatic components with NPT or inch thread dimensions are only available from our US sales organization.

For further information about assembling and tolerances of adaptable tubing can be found in the "Technical information" document (available in the MediaCentre).

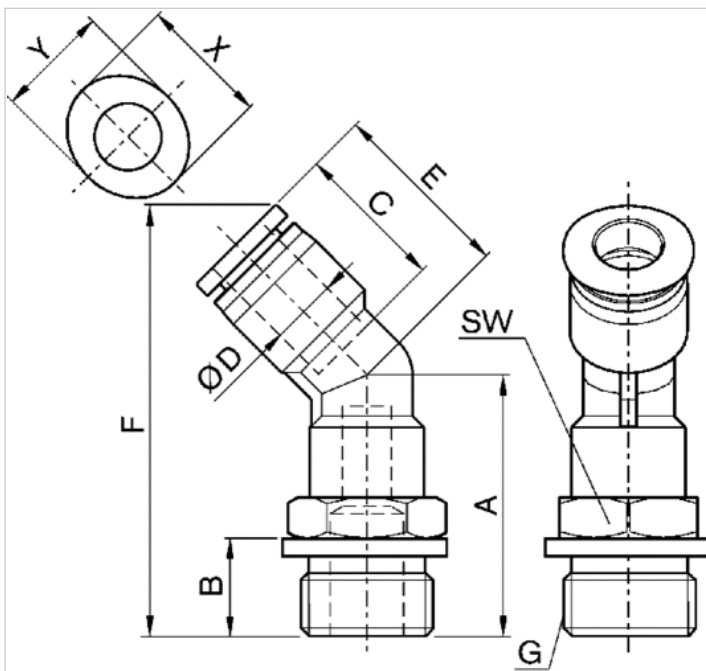
## Technical information

### Material

Material	nickel-plated
Housing	Polybutyleneterephthalate
Seal	Acrylonitrile butadiene rubber
Tooth lock washer	Stainless steel
Release ring	Polyoxymethylene
Release ring holder	Die cast zinc Brass, nickel-plated
Thread	Brass, nickel-plated

## Dimensions

### Dimensions in inches



### Dimensions in inches

Part No.	Port D	Port G	A	B	C	E	F	SW	X	Y
R432000286	Ø1/4	10-32 UNF	0.91	0.22	0.67	0.81	1.48	1/2	0.55	0.47
R432000298	Ø5/32	10-32 UNF	0.87	0.22	0.63	0.71	1.37	7/16	0.47	0.39

UK Office  
5 Caulside Drive  
Antrim  
BT41 2DU  
United Kingdom  
+44 (0) 28 9448 1808

European Office  
Unit 6, Saint Anthony's Business Park  
Dublin  
D22 VW95  
Ireland  
+353 (0) 1 4373653



Part No.	Port D	Port G	A	B	C	E	F	SW	X	Y
R432000285	Ø1/2	3/8 NPT	1.5	0.47	0.89	1.15	2.31	7/8	0.91	0.83
R432000289	Ø1/4	3/8 NPT	1.23	0.47	0.67	0.81	1.8	11/16	0.55	0.47
R432000293	Ø3/8	3/8 NPT	1.42	0.47	0.83	1.03	2.14	11/16	0.75	0.67
R432000297	Ø5/16	3/8 NPT	1.26	0.47	0.73	0.89	1.89	11/16	0.63	0.55
R432000284	Ø1/2	1/8 NPT	1.34	0.32	0.89	1.15	2.16	7/8	0.91	0.83
R432000296	Ø5/16	1/8 NPT	1.06	0.32	0.73	0.89	1.7	9/16	0.63	0.55
R432000300	Ø5/32	1/8 NPT	0.91	0.32	0.63	0.71	1.41	7/16	0.47	0.39
R432000288	Ø1/4	1/8 NPT	0.99	0.32	0.67	0.81	1.56	1/2	0.55	0.47
R432000292	Ø3/8	1/8 NPT	1.26	0.32	0.83	1.03	1.98	11/16	0.75	0.67
R432000283	Ø1/2	1/4 NPT	1.46	0.43	0.89	1.15	2.27	7/8	0.91	0.83
R432000291	Ø3/8	1/4 NPT	1.38	0.43	0.83	1.03	2.1	11/16	0.75	0.67
R432000287	Ø1/4	1/4 NPT	1.15	0.43	0.67	0.81	1.72	9/16	0.55	0.47
R432000295	Ø5/16	1/4 NPT	1.22	0.43	0.73	0.89	1.85	9/16	0.63	0.55
R432000299	Ø5/32	1/4 NPT	1.09	0.43	0.63	0.71	1.47	9/16	0.47	0.39
R432000294	Ø5/16	1/2 NPT	1.42	0.59	0.73	0.89	2.05	7/8	0.63	0.55
R432000282	Ø1/2	1/2 NPT	1.62	0.59	0.89	1.15	2.43	7/8	0.91	0.83
R432000290	Ø3/8	1/2 NPT	1.54	0.59	0.83	1.03	2.26	7/8	0.75	0.67