

QR1-S standard series

- Swivel banjo connection 1-fold, with internal thread
- External thread
- 10-32 UNF 3/8 NPT 1/8 NPT 1/4 NPT 1/2 NPT
- push-in fitting
- 1/4 NPT Ø5/32 Ø1/2 Ø3/8 Ø5/16 Ø1/4
- Internal thread
- QR1-S-RIW



Working pressure min./max.

-0,95 ... 10 bar

Ambient temperature min./max.

0 ... 60 °C

Weight

See table below

Technical data

Part No.	Port G	Port D	Weight
R432000078	10-32 UNF	1/4 NPT	0,009 kg
R432000086	10-32 UNF	Ø5/32	0,009 kg
R432000077	3/8 NPT	Ø1/2	0,03 kg
R432000082	3/8 NPT	Ø3/8	0,03 kg
R432000085	3/8 NPT	Ø5/16	0,03 kg
R432000084	1/8 NPT	Ø5/16	0,023 kg
R432000087	1/8 NPT	Ø5/32	0,018 kg
R432000080	1/8 NPT	Ø1/4	0,023 kg
R432000079	1/4 NPT	Ø1/4	0,03 kg
R432000083	1/4 NPT	Ø5/16	0,03 kg
R432000081	1/4 NPT	Ø3/8	0,041 kg
R432000076	1/2 NPT	Ø1/2	0,24 kg

Weight per piece

Technical information

The series QR1 (plastic) and QR2 (metal) can not be combined

Thread seal with captive O-ring

These pneumatic components with NPT or inch thread dimensions are only available from our US sales organization.

For further information about assembling and tolerances of adaptable tubing can be found in the "Technical information" document (available in the MediaCentre).

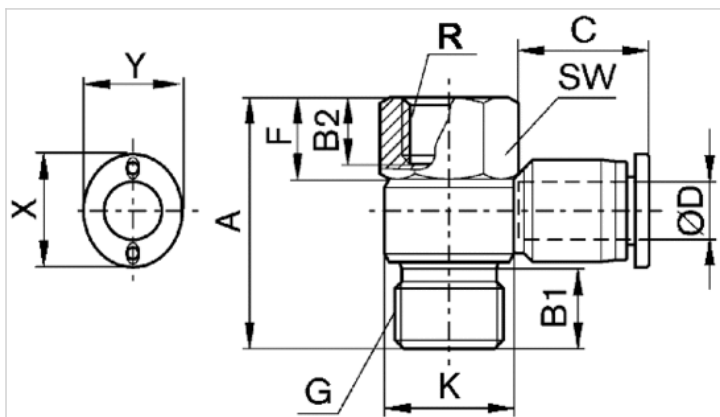
Technical information

Material

Material	nickel-plated
Housing	Polybutyleneterephthalate
Seal	Acrylonitrile butadiene rubber
Tooth lock washer	Stainless steel
Release ring	Polyoxymethylene
Release ring holder	Die cast zinc Brass, nickel-plated
Thread	Brass, nickel-plated

Dimensions

Dimensions in inches



Dimensions in inches

Part No.	Port D	Port G	A	B1	B2	C	F	Ø K	SW	X	Y
R432000078	1/4 NPT	10-32 UNF	0.83	0.16	0.2	0.67	0.26	0.39	5/16	0.552	0.47
R432000086	Ø5/32	10-32 UNF	0.83	0.16	0.2	0.63	0.26	0.39	5/16	0.473	0.39
R432000077	Ø1/2	3/8 NPT	1.65	0.47	0.51	0.89	0.55	0.87	7/8	0.906	0.83
R432000082	Ø3/8	3/8 NPT	1.65	0.47	0.51	0.83	0.55	0.87	7/8	0.749	0.67
R432000085	Ø5/16	3/8 NPT	1.65	0.47	0.51	0.73	0.53	0.87	7/8	0.63	0.52
R432000084	Ø5/16	1/8 NPT	1.2	0.32	0.36	0.73	0.37	0.57	9/16	0.63	0.55
R432000087	Ø5/32	1/8 NPT	0.89	0.2	0.24	0.63	0.28	0.39	9/16	0.473	0.39
R432000080	Ø1/4	1/8 NPT	1.42	0.43	0.47	0.67	0.45	0.57	9/16	0.552	0.47
R432000079	Ø1/4	1/4 NPT	1.42	0.43	0.47	0.67	0.45	0.73	11/16	0.552	0.47
R432000083	Ø5/16	1/4 NPT	1.42	0.43	0.47	0.73	0.45	0.73	11/16	0.63	0.55
R432000081	Ø3/8	1/4 NPT	1.42	0.43	0.47	0.83	0.45	0.73	11/16	0.749	0.67
R432000076	Ø1/2	1/2 NPT	2.01	0.59	0.63	0.89	0.67	1.1	1	0.906	0.83