

QR1-S standard series

- Plug connector, 3x, reducing
- push-in fitting
- Ø5/32 Ø5/16 Ø1/4
- push-in fitting
- Ø5/16 Ø3/8
- QR1-S-RMT



Working pressure min./max.	-0,95 ... 10 bar
Ambient temperature min./max.	0 ... 60 °C
Weight	See table below

Technical data

Part No.	Port G	Port D	Delivery unit	Weight
R432000121	Ø5/32	Ø5/16	10 piece	0,018 kg
R432000118	Ø5/16	Ø3/8	10 piece	0,032 kg
R432000119	Ø1/4	Ø5/16	10 piece	0,018 kg
R432000122	Ø1/4	Ø3/8	10 piece	0,027 kg

Weight per piece

Technical information

The series QR1 (plastic) and QR2 (metal) can not be combined

These pneumatic components with NPT or inch thread dimensions are only available from our US sales organization.

For further information about assembling and tolerances of adaptable tubing can be found in the "Technical information" document (available in the MediaCentre).

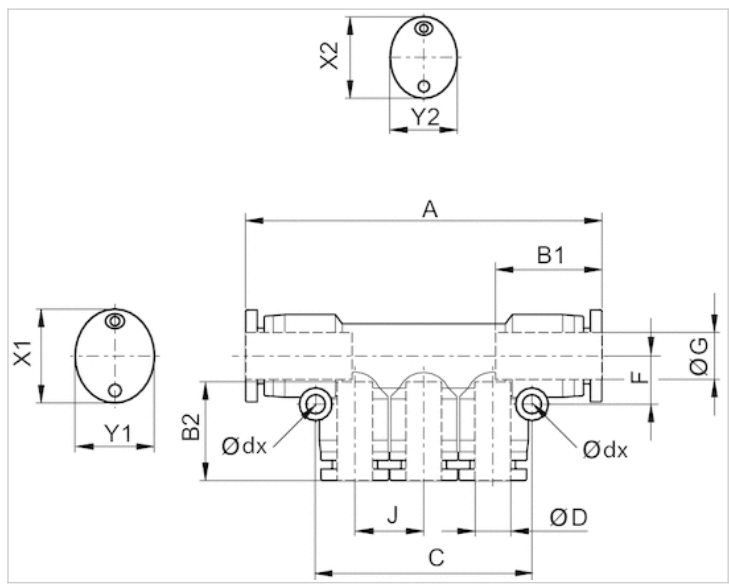
Technical information

Material	
Material	nickel-plated
Housing	Polybutyleneterephthalate
Seal	Acrylonitrile butadiene rubber
Tooth lock washer	Stainless steel
Release ring	Polyoxymethylene

Material	
Release ring holder	Die cast zinc Brass, nickel-plated

Dimensions

Dimensions in inches



Dimensions in inches

Part No.	Port D	Port G	A	B1	B2	J	X1	Y1	X2	Y2
R432000121	Ø5/16	Ø5/32	2.44	0.73	0.63	0.39	0.63	0.55	0.47	0.39
R432000118	Ø3/8	Ø5/16	3.36	0.83	0.73	0.55	0.75	0.67	0.63	0.55
R432000119	Ø5/16	Ø1/4	3.12	0.73	0.67	0.47	0.63	0.55	0.55	0.47
R432000122	Ø3/8	Ø1/4	3.36	0.83	0.67	0.47	0.75	0.67	0.55	0.47