

QR1-S standard series

- X-Plug connection
- push-in fitting
- Ø5/32 Ø5/16 Ø3/8 Ø1/4 Ø1/2
- push-in fitting
- Ø5/32 Ø5/16 Ø3/8 Ø1/4 Ø1/2
- QR1-S-RXS



Working pressure min./max.	-0,95 ... 10 bar
Ambient temperature min./max.	0 ... 60 °C
Weight	See table below

Technical data

Part No.	Port G	Port D	Delivery unit	Weight
R432000260	Ø5/32	Ø5/32	10 piece	0,041 kg
R432000259	Ø5/16	Ø5/16	10 piece	0,018 kg
R432000258	Ø3/8	Ø3/8	10 piece	0,027 kg
R432000257	Ø1/4	Ø1/4	10 piece	0,014 kg
R432000256	Ø1/2	Ø1/2	10 piece	0,041 kg

Weight per piece

Technical information

The series QR1 (plastic) and QR2 (metal) can not be combined
These pneumatic components with NPT or inch thread dimensions are only available from our US sales organization.

For further information about assembling and tolerances of adaptable tubing can be found in the "Technical information" document (available in the MediaCentre).

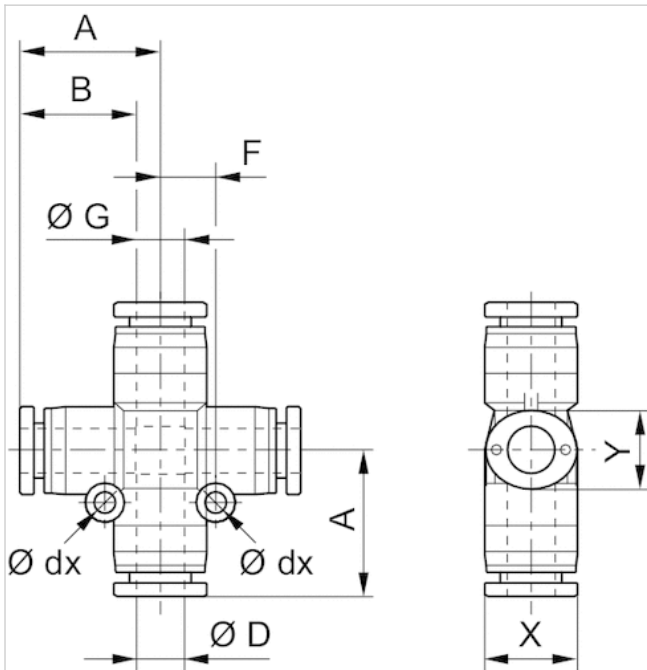
Technical information

Material	
Material	nickel-plated
Housing	Polybutyleneterephthalate
Seal	Acrylonitrile butadiene rubber
Tooth lock washer	Stainless steel

Material	
Release ring	Polyoxymethylene
Release ring holder	Die cast zinc Brass, nickel-plated

Dimensions

Dimensions in inches



Dimensions in inches

Part No.	Port D	Port G	A	B	X	Y
R432000260	Ø5/32	Ø5/32	0.73	0.63	0.39	0.47
R432000259	Ø5/16	Ø5/16	1.02	0.73	0.55	0.63
R432000258	Ø3/8	Ø3/8	1.15	0.83	0.67	0.75
R432000257	Ø1/4	Ø1/4	0.9	0.67	0.47	0.55
R432000256	Ø1/2	Ø1/2	1.15	0.89	0.83	0.91