

QR1-S standard series

- Straight push-in fitting, reducing
- push-in fitting
- Ø5/32 Ø5/16 Ø3/8 Ø1/4
- pin bushing
- Ø5/16 Ø1/4 Ø1/2 Ø3/8
- QR1-S-RED



Working pressure min./max.

-0,95 ... 10 bar

Ambient temperature min./max.

0 ... 60 °C

Weight

See table below

Technical data

Part No.	Port G	Port D	Delivery unit	Weight
R432000070	Ø5/32	Ø5/16	10 piece	0,005 kg
R432000066	Ø5/32	Ø1/4	10 piece	0,005 kg
R432000065	Ø5/16	Ø1/2	10 piece	0,009 kg
R432000068	Ø5/16	Ø3/8	10 piece	0,005 kg
R432000064	Ø3/8	Ø1/2	10 piece	0,009 kg
R432000069	Ø1/4	Ø5/16	10 piece	0,005 kg
R432000067	Ø1/4	Ø3/8	10 piece	0,005 kg
R432000063	Ø1/4	Ø1/2	10 piece	0,005 kg

Weight per piece

Technical information

The series QR1 (plastic) and QR2 (metal) can not be combined

These pneumatic components with NPT or inch thread dimensions are only available from our US sales organization.

For further information about assembling and tolerances of adaptable tubing can be found in the "Technical information" document (available in the MediaCentre).

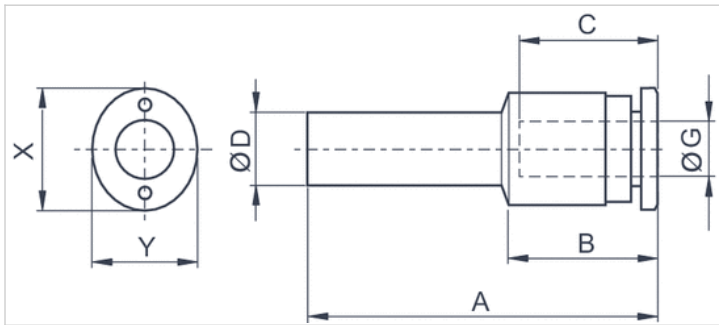
Technical information

Material	
Material	nickel-plated
Housing	Polybutyleneterephthalate

Material	
Seal	Acrylonitrile butadiene rubber
Tooth lock washer	Stainless steel
Release ring	Polyoxymethylene
Release ring holder	Die cast zinc Brass, nickel-plated

Dimensions

Dimensions in inches



Dimensions in inches

Part No.	Port D	Port G	A	B	C	X	Y
R432000070	Ø5/16	Ø5/32	1.702	0.693	0.729	0.473	0.394
R432000066	Ø1/4	Ø5/32	1.6	0.693	0.67	0.473	0.394
R432000065	Ø1/2	Ø5/16	1.95	0.801	0.729	0.63	0.552
R432000068	Ø3/8	Ø5/16	1.872	0.801	0.827	0.63	0.552
R432000064	Ø1/2	Ø3/8	2.065	0.906	0.827	0.749	0.67
R432000069	Ø5/16	Ø1/4	1.741	0.756	0.729	0.552	0.473
R432000067	Ø3/8	Ø1/4	1.82	0.756	0.827	0.552	0.473
R432000063	Ø1/2	Ø1/4	1.899	0.756	0.67	0.552	0.473