

# QR1-S standard series

- 3x push-in fitting, reducing
- pin bushing
- Ø5/32 Ø5/16 Ø1/4
- push-in fitting
- Ø5/16 Ø1/4 Ø3/8
- push-in fitting
- Ø5/32 Ø5/16 Ø1/4
- QR1-S-RMS



Working pressure min./max.	-0,95 ... 10 bar
Ambient temperature min./max.	0 ... 60 °C
Weight	See table below

## Technical data

Part No.	Port G	Port D	Delivery unit	Weight
R432000117	Ø5/32	Ø5/16	10 piece	0,018 kg
R432000113	Ø5/32	Ø1/4	10 piece	0,014 kg
R432000114	Ø5/16	Ø3/8	10 piece	0,032 kg
R432000115	Ø1/4	Ø5/16	10 piece	0,018 kg

Weight per piece

## Technical information

The series QR1 (plastic) and QR2 (metal) can not be combined  
These pneumatic components with NPT or inch thread dimensions are only available from our US sales organization.

For further information about assembling and tolerances of adaptable tubing can be found in the "Technical information" document (available in the MediaCentre).

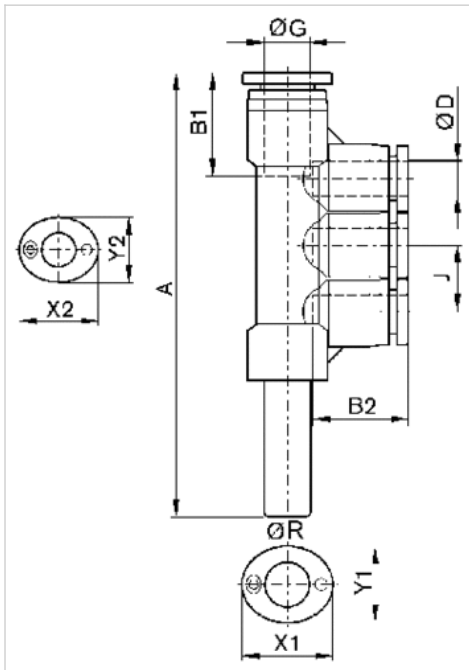
## Technical information

Material	
Material	nickel-plated
Housing	Polybutyleneterephthalate
Seal	Acrylonitrile butadiene rubber
Tooth lock washer	Stainless steel

Material	
Release ring	Polyoxymethylene
Release ring holder	Die cast zinc Brass, nickel-plated

## Dimensions

### Dimensions in inches



### Dimensions in inches

Part No.	Port R	Port D	Port G	A	B1	B2	J	X1	Y1	X2	Y2
R432000117	Ø5/32	Ø5/16	Ø5/32	3.08	0.73	0.63	0.39	0.63	0.552	0.47	0.39
R432000113	Ø5/32	Ø1/4	Ø5/32	2.98	0.73	0.71	0.39	0.55	0.473	0.47	0.39
R432000114	Ø5/16	Ø3/8	Ø5/16	4.12	0.83	0.73	0.55	0.75	0.67	0.63	0.55
R432000115	Ø1/4	Ø5/16	Ø1/4	3.24	0.73	0.67	0.47	0.63	0.552	0.55	0.47