

Series QR1-S Mini

- Straight female stud fitting
- Internal thread
- 10-32 UNF
- push-in fitting
- Ø1/8
- QR1-S-MAI



Working pressure min./max.	-0,95 ... 10 bar
Ambient temperature min./max.	0 ... 60 °C
Weight	0,005 kg
	Weight per piece

Technical data

Part No.	Port G	Port D	Delivery unit
R432000301	10-32 UNF	Ø1/8	25 piece
R432000302	10-32 UNF	Ø5/32	25 piece

Technical information

The series QR1 (plastic) and QR2 (metal) can not be combined

These pneumatic components with NPT or inch thread dimensions are only available from our US sales organization.

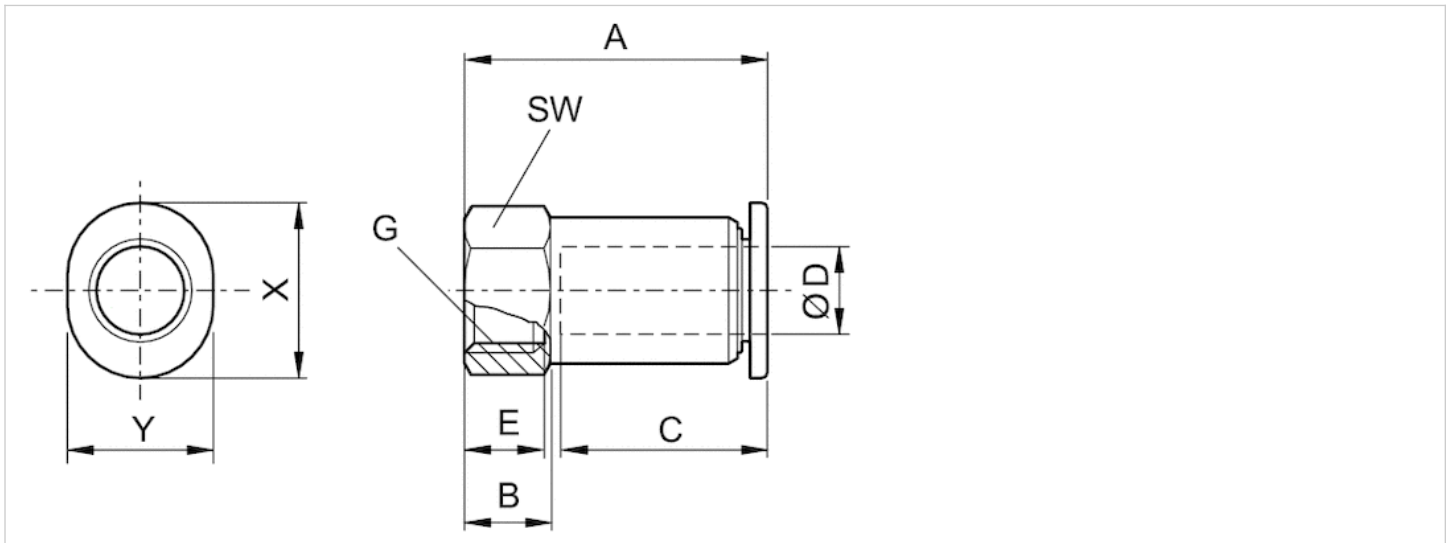
For further information about assembling and tolerances of adaptable tubing can be found in the "Technical information" document (available in the MediaCentre).

Technical information

Material	
Material	nickel-plated
Housing	Brass, nickel-plated
Seal	Acrylonitrile butadiene rubber
Tooth lock washer	Stainless steel
Release ring	Polyoxymethylene
Release ring holder	Die cast zinc Brass, nickel-plated
Thread	Brass, nickel-plated

Dimensions

Dimensions in inches



Dimensions in inches

Part No.	Port D	Port G	A	B	C	E	SW	X	Y
R432000301	Ø1/8	10-32 UNF	0.62	0.19	0.406	0.2	5/16	7.2	0.24
R432000302	Ø5/32	10-32 UNF	0.62	0.19	0.44	0.2	5/16	0.39	0.31