

Series QR1-S Mini

- Bulkhead push-in fitting, metal
- push-in fitting
- Ø1/8
- push-in fitting
- Ø1/8
- QR1-S-MSM



Working pressure min./max.	-0,95 ... 10 bar
Ambient temperature min./max.	0 ... 60 °C
Weight	0,005 kg
	Weight per piece

Technical data

Part No.	Port G	Port D	Delivery unit
R432000334	Ø1/8	Ø1/8	25 piece

Technical information

The series QR1 (plastic) and QR2 (metal) can not be combined
These pneumatic components with NPT or inch thread dimensions are only available from our US sales organization.

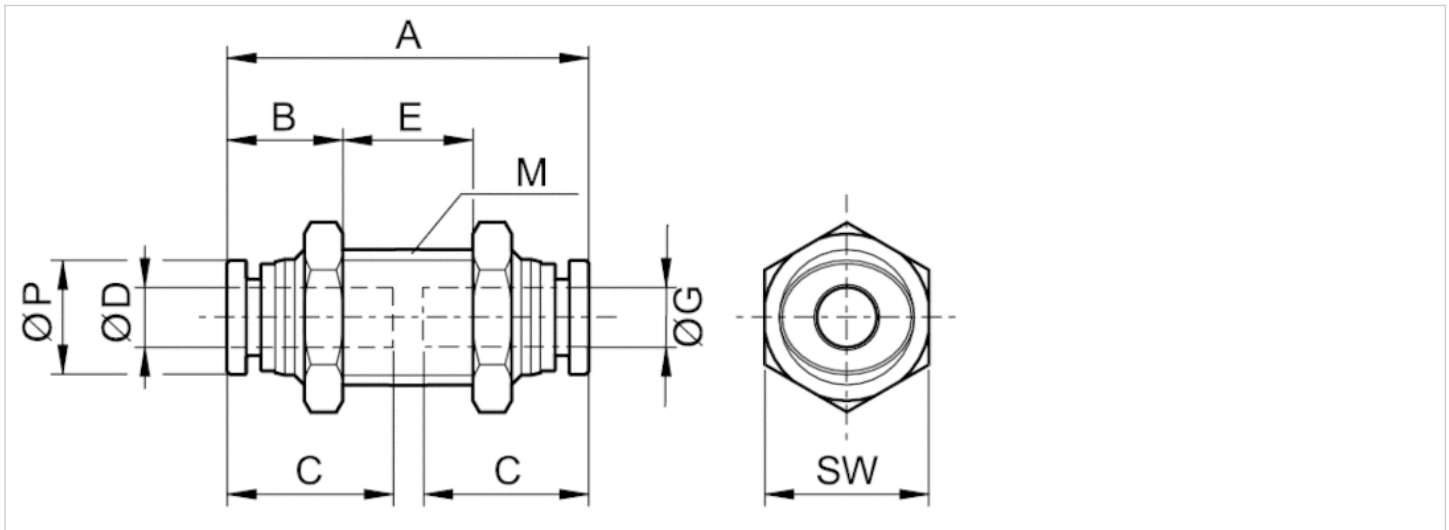
For further information about assembling and tolerances of adaptable tubing can be found in the "Technical information" document (available in the MediaCentre).

Technical information

Material	
Material	nickel-plated
Housing	Brass, nickel-plated
Seal	Acrylonitrile butadiene rubber
Tooth lock washer	Stainless steel
Release ring	Polyoxymethylene
Release ring holder	Die cast zinc Brass, nickel-plated

Dimensions

Dimensions in inches



Dimensions in inches

Part No.	Port D	Port G	B	E	A	SW	C	M
R432000334	Ø1/8	Ø1/8	0.28	0.3	0.71	13/32	0.41	M8x0,75