

Series QR1-S Mini

- T-plug connector
- push-in fitting
- Ø1/4
- push-in fitting
- Ø1/4
- QR1-S-MTK



Working pressure min./max.

-0,95 ... 10 bar

Ambient temperature min./max.

0 ... 60 °C

Weight

0,005 kg

Weight per piece

Technical data

Part No.	Port G	Port D	Delivery unit
R432000337	Ø1/4	Ø1/4	25 piece
R432000338	Ø1/8	Ø1/8	25 piece

Technical information

The series QR1 (plastic) and QR2 (metal) can not be combined

These pneumatic components with NPT or inch thread dimensions are only available from our US sales organization.

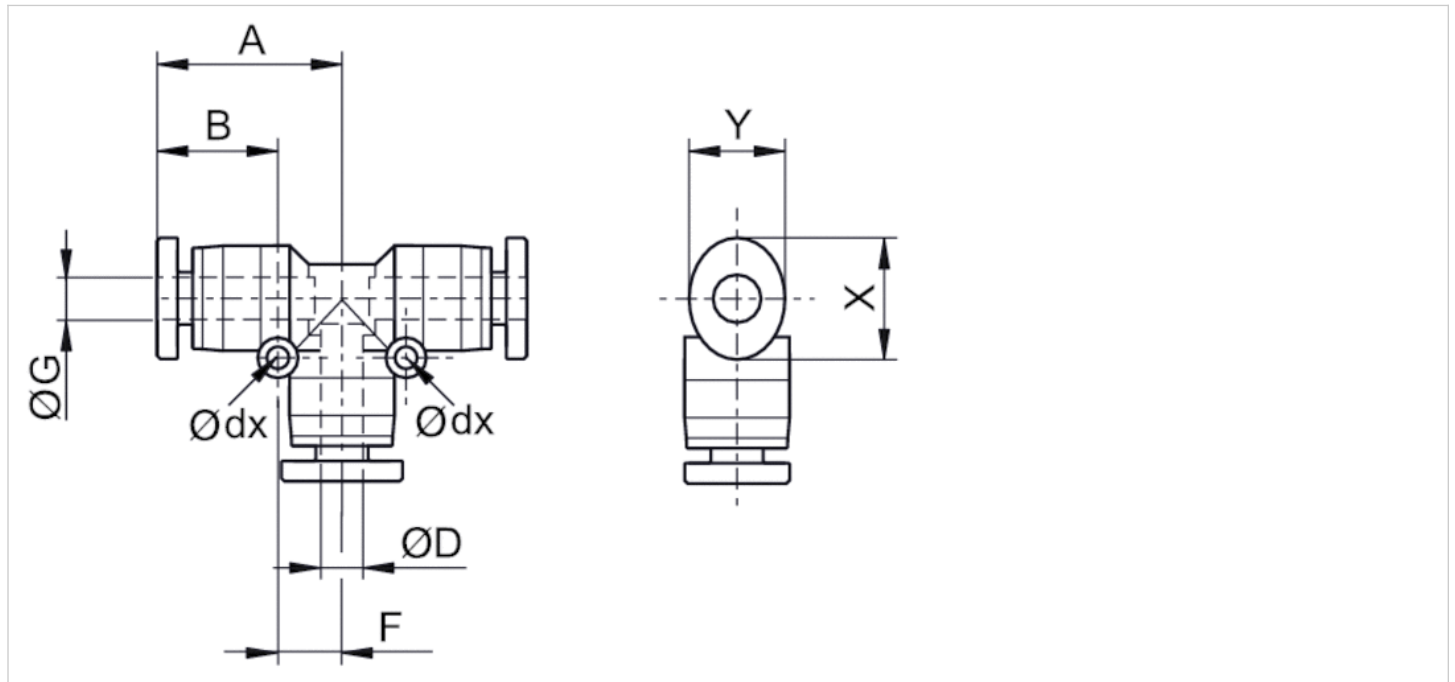
For further information about assembling and tolerances of adaptable tubing can be found in the "Technical information" document (available in the MediaCentre).

Technical information

Material	
Material	nickel-plated
Housing	Polybutyleneterephthalate
Seal	Acrylonitrile butadiene rubber
Tooth lock washer	Stainless steel
Release ring	Polyoxymethylene
Release ring holder	Die cast zinc Brass, nickel-plated
Thread	Brass, nickel-plated

Dimensions

Dimensions in inches



Dimensions in inches

Part No.	Port D	Port G	Ødx	A	B	X	Y
R432000337	$\text{Ø}1/4$	$\text{Ø}1/4$	0.13	0.58	0.47	0.47	0.39
R432000338	$\text{Ø}1/8$	$\text{Ø}1/8$	0.13	0.43	0.36	0.28	0.24