

Series QR2-S, standard

- T-union, rotatable
- External thread
- M5 G 1/8 G 1/4 G 3/8 G 1/2
- push-in fitting
- Ø 4 Ø 6 Ø 8 Ø 10 Ø 12 Ø 14
- QR2-S-RTT



Working pressure min./max.

-0,95 ... 16 bar

Ambient temperature min./max.

-20 ... 80 °C

Weight

See table below

Technical data

Part No.	Port G	Port D	Delivery unit	Weight
1823391812	M5	Ø 4	25 piece	0,019 kg
1823391813	G 1/8	Ø 4	25 piece	0,022 kg
1823391814	G 1/8	Ø 6	25 piece	0,033 kg
1823391815	G 1/8	Ø 8	25 piece	0,034 kg
1823391816	G 1/4	Ø 4	25 piece	0,028 kg
1823391817	G 1/4	Ø 6	25 piece	0,035 kg
1823391818	G 1/4	Ø 8	10 piece	0,038 kg
1823391819	G 1/4	Ø 10	10 piece	0,043 kg
1823391823	G 1/4	Ø 12	10 piece	0,072 kg
1823391820	G 3/8	Ø 8	10 piece	0,045 kg
1823391821	G 3/8	Ø 10	10 piece	0,046 kg
1823391822	G 3/8	Ø 12	5 piece	0,057 kg
1823391824	G 1/2	Ø 14	5 piece	0,091 kg

Weight per piece

Technical information

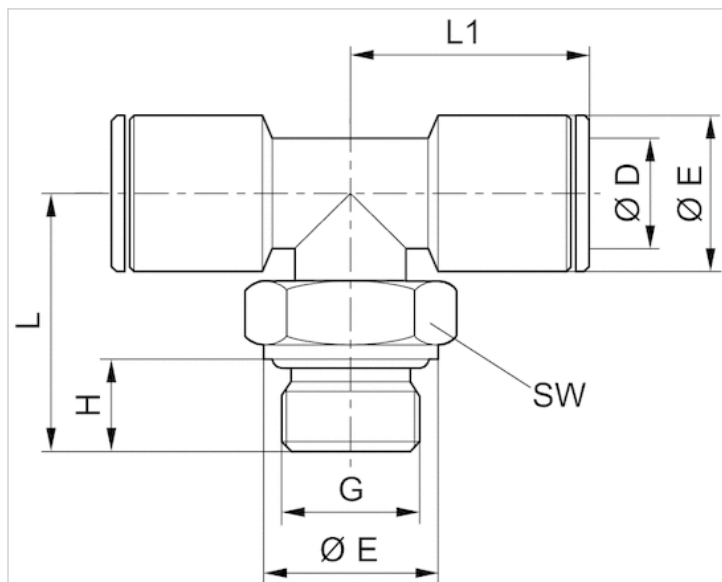
The series QR1 (plastic) and QR2 (metal) can not be combined
Thread seal with captive O-ring

For further information about assembling and tolerances of adaptable tubing can be found in the "Technical information" document (available in the MediaCentre).

Technical information

Material	
Housing	Brass, nickel-plated
Seal	Acrylonitrile butadiene rubber
Tooth lock washer	Stainless steel
Release ring	Brass, nickel-plated
Thread	Brass, nickel-plated

Dimensions



Dimensions

Part No.	Port D	Port G	Ø B	Ø E	H	L	L1	SW
1823391812	Ø 4	M5	8	9	4	16.5	19	9
1823391813	Ø 4	G 1/8	12.8	9	6	18.5	17.5	13
1823391814	Ø 6	G 1/8	13	11	6	20	21	13
1823391815	Ø 8	G 1/8	13	13	6	20	23	13
1823391816	Ø 4	G 1/4	12.8	9	8	22.5	19	16
1823391817	Ø 6	G 1/4	16	11	8	24	21	13
1823391818	Ø 8	G 1/4	16	13	8	24	23	13
1823391819	Ø 10	G 1/4	15.8	15	8	24.5	25	16
1823391823	Ø 12	G 1/4	16	17	8	28.5	28	16
1823391820	Ø 8	G 3/8	20	13	9	25.5	24	18
1823391821	Ø 10	G 3/8	20	15	9	28	26	16
1823391822	Ø 12	G 3/8	20	17	9	26.5	27	18
1823391824	Ø 14	G 1/2	25	20	11	33.5	31	20