

Series QR2-S, standard

- Push-in connector, long
- External thread
- M7 G 1/8 G 1/4
- pin bushing
- Ø 4 Ø 6 Ø 8
- QR2-S-RAL



Working pressure min./max.

-0,95 ... 16 bar

Ambient temperature min./max.

-20 ... 80 °C

Weight

See table below

Technical data

Part No.	Port G	Port D	Delivery unit	Weight
1823391887	M7	Ø 4	10 piece	0,011 kg
1823391888	M7	Ø 6	10 piece	0,011 kg
1823373074	G 1/8	Ø 4	25 piece	0,013 kg
1823373075	G 1/8	Ø 6	25 piece	0,015 kg
1823373076	G 1/8	Ø 8	10 piece	0,02 kg
1823373077	G 1/4	Ø 6	10 piece	0,02 kg
1823373078	G 1/4	Ø 8	10 piece	0,023 kg

Weight per piece

Technical information

The series QR1 (plastic) and QR2 (metal) can not be combined
Thread seal with captive O-ring

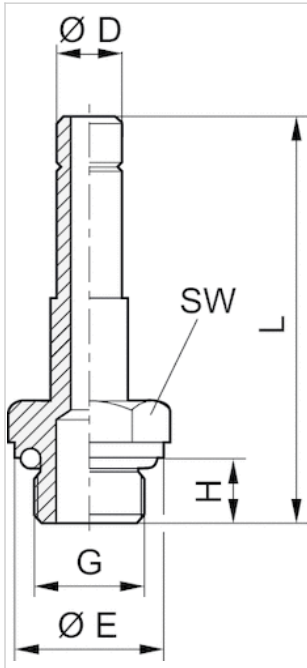
For further information about assembling and tolerances of adaptable tubing can be found in the "Technical information" document (available in the MediaCentre).

Technical information

Material	
Housing	Brass, nickel-plated
Seal	Acrylonitrile butadiene rubber
Tooth lock washer	Stainless steel

Material	
Release ring	Brass, nickel-plated
Thread	Brass, nickel-plated

Dimensions



Dimensions

Part No.	Port D	Port G	L	H	Ø E	SW
1823391887	Ø 4	M7	38	6	–	10
1823391888	Ø 6	M7	42	6	–	10
1823373074	Ø 4	G 1/8	39.7	6	13	13
1823373075	Ø 6	G 1/8	43.5	6	13	13
1823373076	Ø 8	G 1/8	47.5	6	13	13
1823373077	Ø 6	G 1/4	46	8	16	13
1823373078	Ø 8	G 1/4	49.7	8	16	13