

Series QR2-S, standard

- 2x banjo bolt
- External thread
- G 1/8 G 1/4 G 3/8
- QR2-S-RH2



Working pressure min./max.	-0,95 ... 16 bar
Ambient temperature min./max.	-20 ... 70 °C
Weight	See table below

Technical data

Part No.	Port G	Delivery unit	Weight
1823391579	G 1/8	10 piece	0,02 kg
1823391580	G 1/4	10 piece	0,035 kg
1823391581	G 3/8	10 piece	0,063 kg

Weight per piece

Technical information

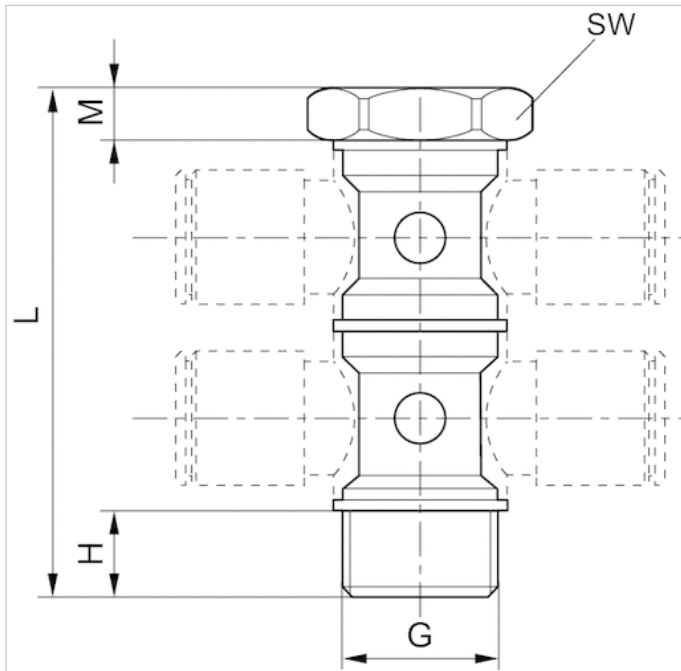
The series QR1 (plastic) and QR2 (metal) can not be combined
Only applicable in combination with QR2-S and NU2-S series banjo unions.

For further information about assembling and tolerances of adaptable tubing can be found in the "Technical information" document (available in the MediaCentre).

Technical information

Material	
Housing	Brass, nickel-plated
Seal	Polyvinyl chloride
Tooth lock washer	Stainless steel

Dimensions



Dimensions

Part No.	Port G	H	L	M	SW
1823391579	G 1/8	6	44.5	4	14
1823391580	G 1/4	6.5	51.5	5	17
1823391581	G 3/8	7.5	58.1	4.5	19