

Series QR2-S, standard

- T-banjo connection with hexagon socket, rotatable
- External thread
- M5 G 1/8 G 1/4 G 3/8
- push-in fitting
- Ø 4 Ø 5 Ø 6 Ø 8 Ø 10 Ø 12
- QR2-S-RTI



Working pressure min./max.

-0,95 ... 16 bar

Ambient temperature min./max.

-20 ... 80 °C

Weight

See table below

Technical data

Part No.	Port G	Port D	Delivery unit	Weight
1823391661	M5	Ø 4	10 piece	0,017 kg
1823391662	M5	Ø 5	10 piece	0,021 kg
1823391663	G 1/8	Ø 4	10 piece	0,029 kg
1823391664	G 1/8	Ø 5	10 piece	0,031 kg
1823391665	G 1/8	Ø 6	10 piece	0,033 kg
1823391666	G 1/8	Ø 8	10 piece	0,035 kg
1823391667	G 1/4	Ø 6	10 piece	0,046 kg
1823391668	G 1/4	Ø 8	10 piece	0,048 kg
1823391669	G 1/4	Ø 10	10 piece	0,054 kg
1823391900	G 3/8	Ø 8	2 piece	0,056 kg
1823391901	G 3/8	Ø 10	2 piece	0,06 kg
1823391902	G 3/8	Ø 12	2 piece	0,08 kg

Weight per piece

Technical information

The series QR1 (plastic) and QR2 (metal) can not be combined
Thread seal with captive O-ring

For further information about assembling and tolerances of adaptable tubing can be found in the "Technical information" document (available in the MediaCentre).

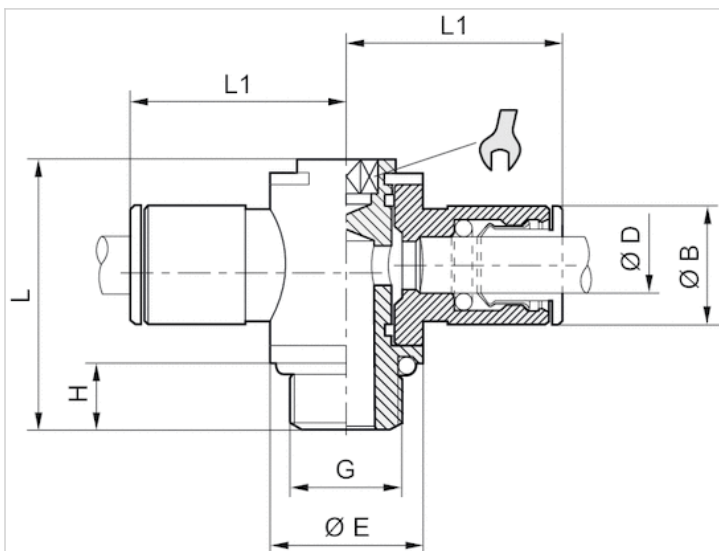
Technical information

Material

Housing	Brass, nickel-plated
Seal	Acrylonitrile butadiene rubber
Tooth lock washer	Stainless steel
Release ring	Brass, nickel-plated
Thread	Brass, nickel-plated

Dimensions

Dimensions



Dimensions

Part No.	Port D	Port G	L	L1	H	Ø B	Ø E	SW
1823391661	Ø 4	M5	17	18.5	4	9	8	2
1823391662	Ø 5	M5	17	19.5	4	10	8	2
1823391663	Ø 4	G 1/8	25	21	6	9	14	3
1823391664	Ø 5	G 1/8	25	22.5	6	10	14	3
1823391665	Ø 6	G 1/8	25	23	6	11	14	3
1823391666	Ø 8	G 1/8	25	24.5	6	13	14	3
1823391667	Ø 6	G 1/4	29.3	24	8	11	18	4
1823391668	Ø 8	G 1/4	29.3	26	8	13	18	4
1823391669	Ø 10	G 1/4	29.3	27	8	15	18	4
1823391900	Ø 8	G 3/8	34	28	9	13	21	5
1823391901	Ø 10	G 3/8	34	29	9	15	21	5
1823391902	Ø 12	G 3/8	34	29	9	17	21	5