

# Series QR2-S, standard

- Bulkhead connector
- Internal thread
- G 1/8 G 1/4
- push-in fitting
- Ø 4 Ø 6 Ø 8
- QR2-S-RSI



Working pressure min./max.

-0,95 ... 16 bar

Ambient temperature min./max.

-20 ... 80 °C

## Technical data

Part No.	Port G	Port D	Delivery unit
1823391757	G 1/8	Ø 4	10 piece
1823391758	G 1/8	Ø 6	10 piece
1823391759	G 1/4	Ø 6	10 piece
1823391760	G 1/8	Ø 8	10 piece
1823391761	G 1/4	Ø 8	10 piece

## Technical information

The series QR1 (plastic) and QR2 (metal) can not be combined

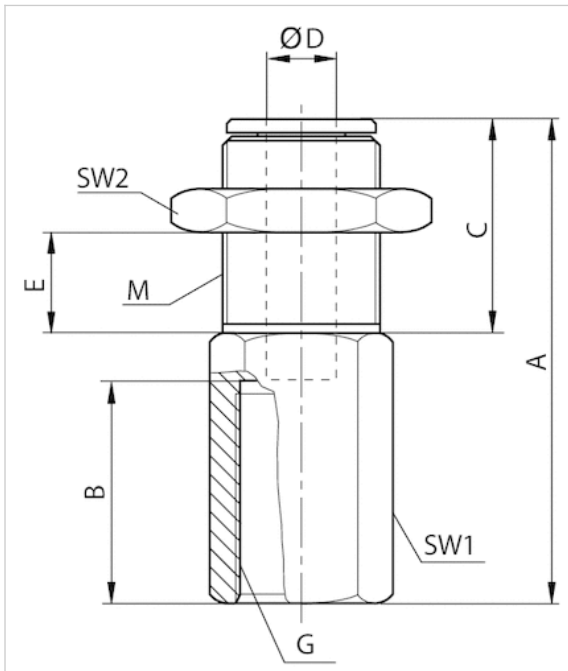
For further information about assembling and tolerances of adaptable tubing can be found in the "Technical information" document (available in the MediaCentre).

## Technical information

Material	
Housing	Brass, nickel-plated
Seal	Acrylonitrile butadiene rubber
Tooth lock washer	Stainless steel
Release ring	Brass, nickel-plated
Thread	Brass, nickel-plated

## Dimensions

### Dimensions



## Dimensions

Part No.	Port D	Port G	M	A	B	C	E ±2 1)	SW1	SW2
1823391757	Ø 4	G 1/8	M10x1	25	8.5	15	9.5	15	13
1823391758	Ø 6	G 1/8	M14x1	26	8.5	15	9.5	17	17
1823391759	Ø 6	G 1/4	M14x1	30.5	13	15	9.5	17	17
1823391760	Ø 8	G 1/8	M16x1	28	8.5	15	9.5	17	19
1823391761	Ø 8	G 1/4	M16x1	33	13	15	9.5	17	19

1) Max.