

Series QR2-S, standard

- Long elbow fitting, rotatable
- External thread
- G 1/8 G 1/4
- push-in fitting
- Ø 4 Ø 6 Ø 8 Ø 10
- QR2-S-RVL



Working pressure min./max.

-0,95 ... 16 bar

Ambient temperature min./max.

-20 ... 80 °C

Weight

See table below

Technical data

Part No.	Port G	Port D	Delivery unit	Weight
R412010270	G 1/8	Ø 4	10 piece	0,032 kg
R412010271	G 1/8	Ø 6	10 piece	0,033 kg
R412010272	G 1/8	Ø 8	10 piece	0,034 kg
R412010273	G 1/4	Ø 6	10 piece	0,037 kg
R412010274	G 1/4	Ø 8	10 piece	0,039 kg
R412010275	G 1/4	Ø 10	10 piece	0,056 kg

Technical information

The series QR1 (plastic) and QR2 (metal) can not be combined

Thread seal with captive O-ring

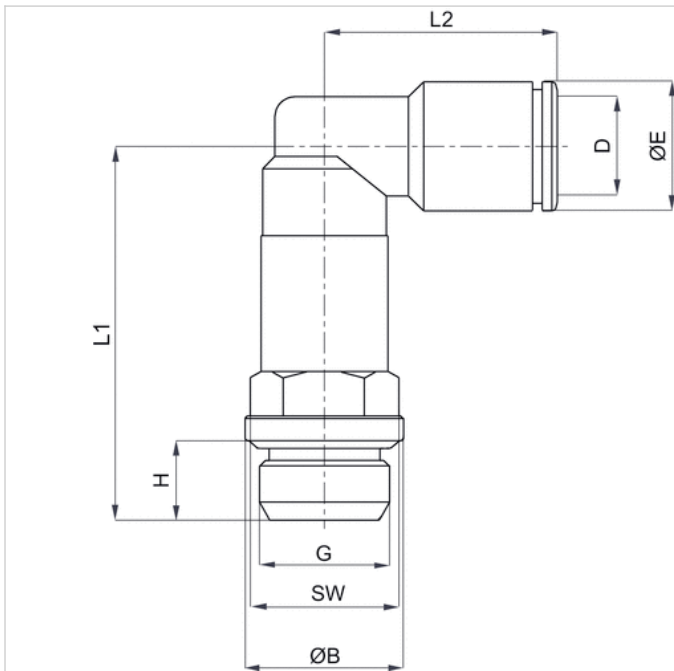
For further information about assembling and tolerances of adaptable tubing can be found in the "Technical information" document (available in the MediaCentre).

Technical information

Material	
Housing	Brass, nickel-plated
Seal	Acrylonitrile butadiene rubber
Tooth lock washer	Stainless steel
Release ring	Brass, nickel-plated
Thread	Brass, nickel-plated

Dimensions

Dimensions



Dimensions

Part No.	Port D	Port G	$\varnothing B$	$\varnothing E$	H	L1	L2	SW
R412010270	$\varnothing 4$	G 1/8	13	9	6	33	20	13
R412010271	$\varnothing 6$	G 1/8	13	11	6	33	21.5	13
R412010272	$\varnothing 8$	G 1/8	13	13	6	33	23.5	13
R412010273	$\varnothing 6$	G 1/4	16	11	8	37.7	21.5	13
R412010274	$\varnothing 8$	G 1/4	16	13	8	37.7	23.5	13
R412010275	$\varnothing 10$	G 1/4	16	15	8	40	26,5	16