

# Series QR2-C, stainless steel

- Bulkhead push-in fitting, metal
- push-in fitting
- Ø 4
- push-in fitting
- Ø 4
- QR2-C-RSM
- suitable for use in food processing



Working pressure min./max.	-0,95 ... 16 bar
Ambient temperature min./max.	-20 ... 150 °C
Weight	See table

## Technical data

Part No.	Port G	Port D	Delivery unit	Weight
2544404000	Ø 4	Ø 4	2 piece	0,024 kg
2544406000	Ø 6	Ø 6	2 piece	0,031 kg
2544408000	Ø 8	Ø 8	2 piece	0,038 kg
2544410000	Ø 10	Ø 10	2 piece	0,051 kg
2544412000	Ø 12	Ø 12	2 piece	0,06 kg

## Technical information

The series QR1 (plastic) and QR2 (metal) can not be combined

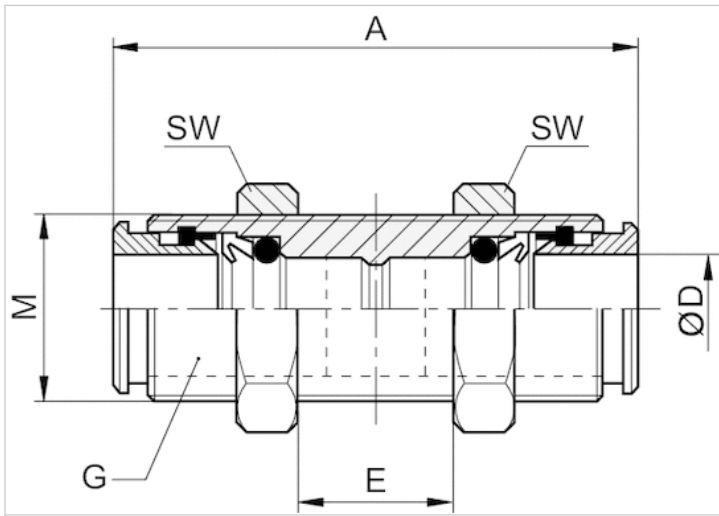
For further information about assembling and tolerances of adaptable tubing can be found in the "Technical information" document (available in the MediaCentre).

## Technical information

Material	
Housing	Stainless steel
Seal	Fluorocaoutchouc
Tooth lock washer	Stainless steel
Release ring	Stainless steel

## Dimensions

### Dimensions



## Dimensions

Part No.	Port D	Port G	M	A	C	E 1)	SW
2544404000	Ø 4	Ø 4	M12x1	27	13.5	11	15
2544406000	Ø 6	Ø 6	M14x1	32.5	16.2	16	17
2544408000	Ø 8	Ø 8	M16x1	33	16.5	17	19
2544410000	Ø 10	Ø 10	M18x1	37.5	18.7	19	21
2544412000	Ø 12	Ø 12	M20x1	39.5	19.7	20	24

1) max.