

Series QR2-C, stainless steel

- Straight push-in fitting, reducing
- push-in fitting
- Ø 4
- pin bushing
- Ø 6
- QR2-C-RED
- suitable for use in food processing



Working pressure min./max.	-0,95 ... 16 bar
Ambient temperature min./max.	-20 ... 150 °C
Weight	See table

Technical data

Part No.	Port G	Port D	Delivery unit	Weight
2544506040	Ø 4	Ø 6	2 piece	0,006 kg
2544508060	Ø 6	Ø 8	2 piece	0,01 kg
2544510080	Ø 8	Ø 10	2 piece	0,015 kg

Technical information

The series QR1 (plastic) and QR2 (metal) can not be combined

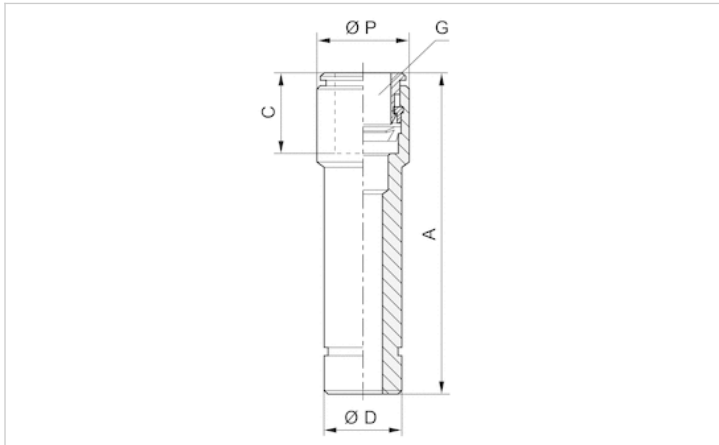
For further information about assembling and tolerances of adaptable tubing can be found in the "Technical information" document (available in the MediaCentre).

Technical information

Material	
Housing	Stainless steel
Seal	Fluorocaoutchouc
Tooth lock washer	Stainless steel
Release ring	Stainless steel

Dimensions

Dimensions



Dimensions

Part No.	Port D	Port G	A	C*	Ø P
2544506040	Ø 6	Ø 4	27	15	9
2544508060	Ø 8	Ø 6	32.5	16	12
2544510080	Ø 10	Ø 8	33	18	14

*